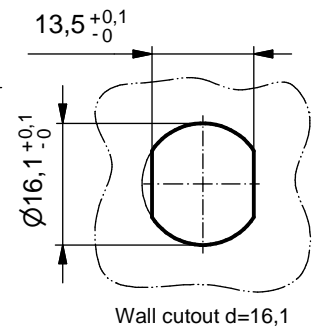


**Contact assignment:**

- 1) brown
- 2) white
- 3) blue
- 4) black

**Contact assignment:**

- 1) brown
- 2) white
- 3) blue
- 4) black
- 5) green-yellow



**Technical specification:**

Rated voltage: 4pos 5pos  
IEC 61076-2-101 250 V 60 V

Current rating: 4 A at 40°C  
IEC 61076-2-101

Insulation resistance: >=100 MΩ  
IEC 60512

Pollution degree: 3/2  
IEC 60664-1

Degree of protection: IP 67, in mated condition  
IEC 60529

Temperature range: -30°C ... +80°C

Mating cycles: >=100  
IEC 60512-9a

**Materials:**

Contact: CuZn

Contact plating: Ni, gold plated

Contact carrier: PBT, UL 94

Sealing connector: FPM  
chassis: NBR

Housing: CuZn, nickel plated

Grouting: Polyurethane-resin, UL 94

**Installation specification:**

recommended torque: 1-1,2 Nm

Conec installation tool: Torque wrench: 36-000200  
Insert across flats 17: 36-000230  
Insert across flats 19: 36-000250

Part no:	Description:	Pos:
43-01691	SAL - 12 - FSH4 - FKP4 - WD	4
43-01692	SAL - 12 - FSH5 - FKP5 - WD	5

DO NOT ALTER CAD DRAWING BY HAND Directive 2002/95/EC RoHS compliant	Index: b 12.03.13 MG Ä4555 Data sheet revised, technical specification changed, materials corrected, installation specification added	dim. in mm	<b>title:</b> Switch case lead-through M12x1, male fix - female positioning possible, a-coded										
		<table border="1"> <tr> <td></td> <td>date</td> <td>name</td> </tr> <tr> <td>drawn</td> <td>20.09.10</td> <td>Burschik</td> </tr> <tr> <td>appd.</td> <td>20.09.10</td> <td>Schmidt</td> </tr> </table>			date	name	drawn	20.09.10	Burschik	appd.	20.09.10	Schmidt	<b>dwg no:</b> 43K1A1199
		date		name									
	drawn	20.09.10		Burschik									
appd.	20.09.10	Schmidt											
general tolerance: 0 ± 0,50mm 0,0 ± 0,25mm 0,00 ± 0,10mm		<b>part no:</b> see table											
<small>THIS DRAWING MAY NOT BE COPIED OR REPRODUCED IN ANY WAY, AND MAY NOT BE PASSED ON TO A THIRD PARTY WITHOUT WRITTEN PERMISSION. OWNERSHIP AND COPYRIGHT OF CONEC GmbH</small>													