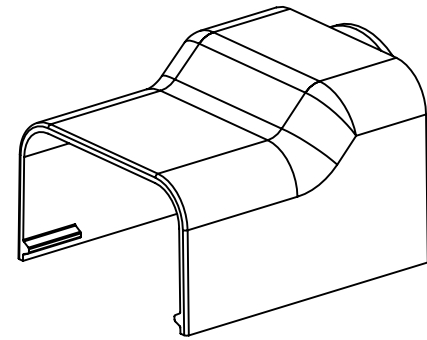
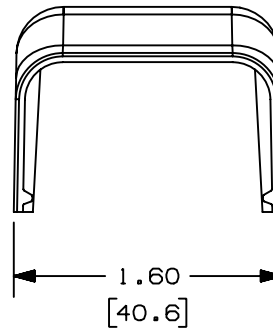
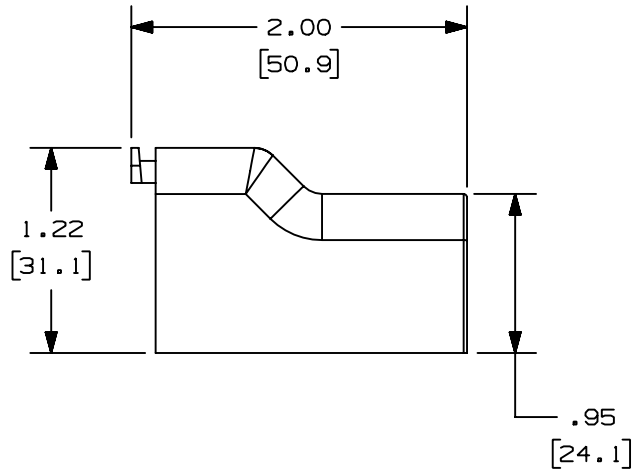


THIS COPY IS PROVIDED ON A RESTRICTED BASIS AND IS NOT TO BE USED IN ANY WAY DETRIMENTAL TO THE INTERESTS OF PANDUIT CORP.

PANDUIT P/N	WEIGHT
FBA10	.14 LB/10 PCS [63.7 g/10 PCS]

NOTES:

- SEE CURRENT CATALOG FOR ADDITIONAL PART SUFFIXES TO INDICATE COLOR AND OR PACKAGE QUANTITY.
- THE FBA10 FITTING IS USED WITH LD10 AND LDPI0 RACEWAYS.
- DIMENSIONS IN PARENTHESES ARE IN METRIC.



CAD FILENAME/LAYERS D38781BB_DC_FBA10_00A.prt

PANDUIT CORP. TINLEY PARK, ILLINOIS
FIRE BOX ADAPTER (FBA10)
CUSTOMER DRAWING

UNLESS OTHERWISE SPECIFIED,
DIMENSIONAL TOLERANCES ARE:
(.X) ± (.XXX) ±
(.XX) ±.03 [.8] ANGLES ±

UNLESS OTHERWISE SPECIFIED,
ALL DIMENSIONS ARE GIVEN
IN INCHES, THIRD ANGLE PROJECTION.

REV	DATE	BY	CHK	DESCRIPTION	ECN	R	CUST	SUP	DRAWN BY	MAT'L:	SCALE	DRAWING NO.	DWG SIZE
1	11-21-03	JHEP	RMHI	A. CORRECTED ERROR	38781-04	RGRO	RGRO		JHEP	ABS	NONE	38781-04	A
R	11-10-03	JHEP	RMHI	RELEASED TO PRODUCTION	38781-04	RGRO	RGRO		DATE 11-10-03				
									CHK'D RMHI				