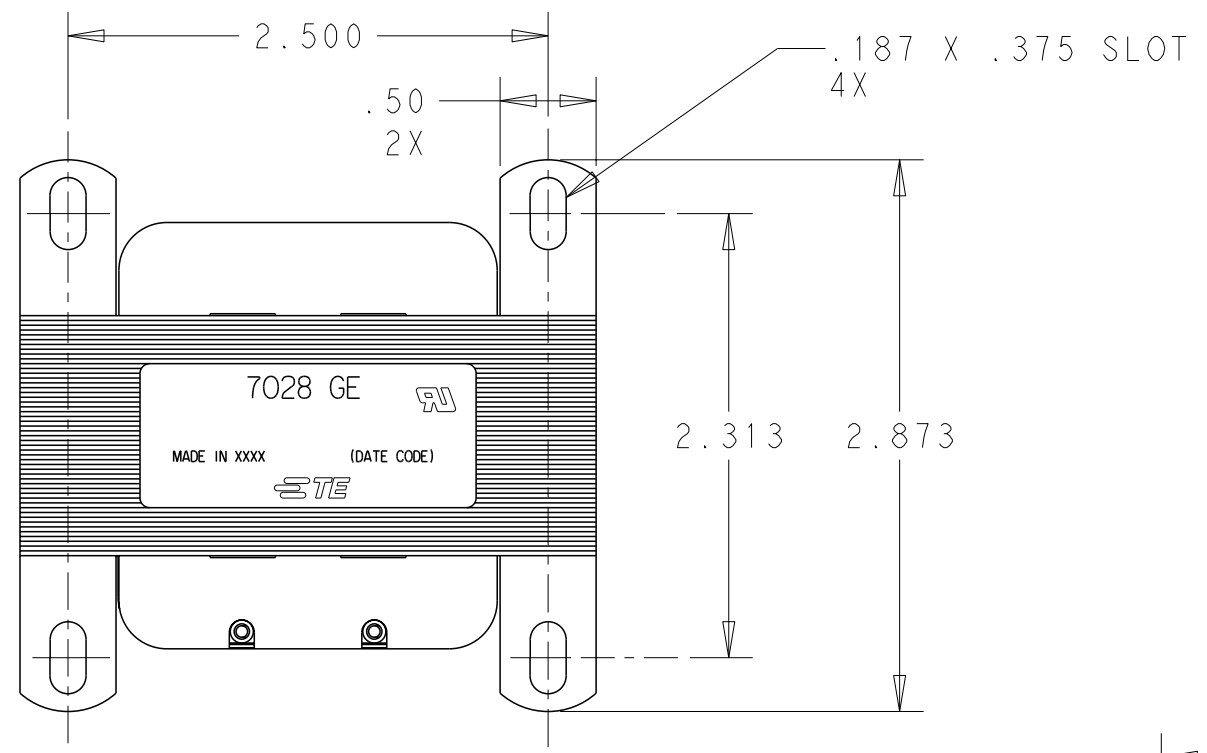
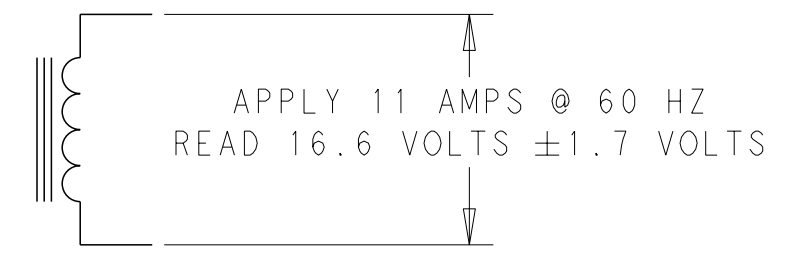


THIS DRAWING IS UNPUBLISHED. RELEASED FOR PUBLICATION 20
 © COPYRIGHT 20 BY - ALL RIGHTS RESERVED.

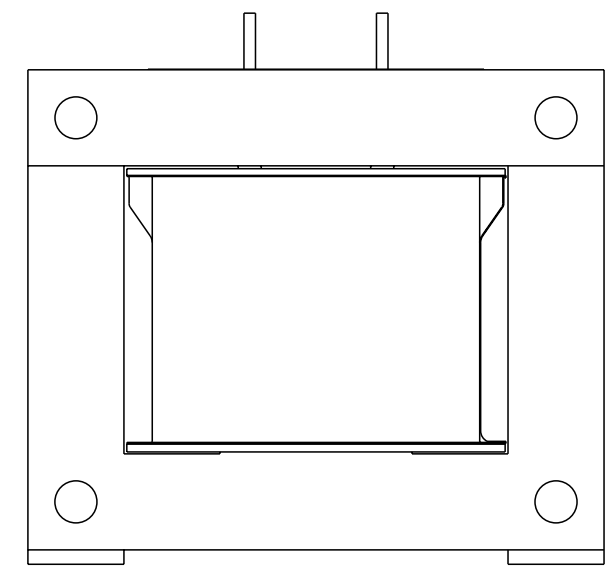
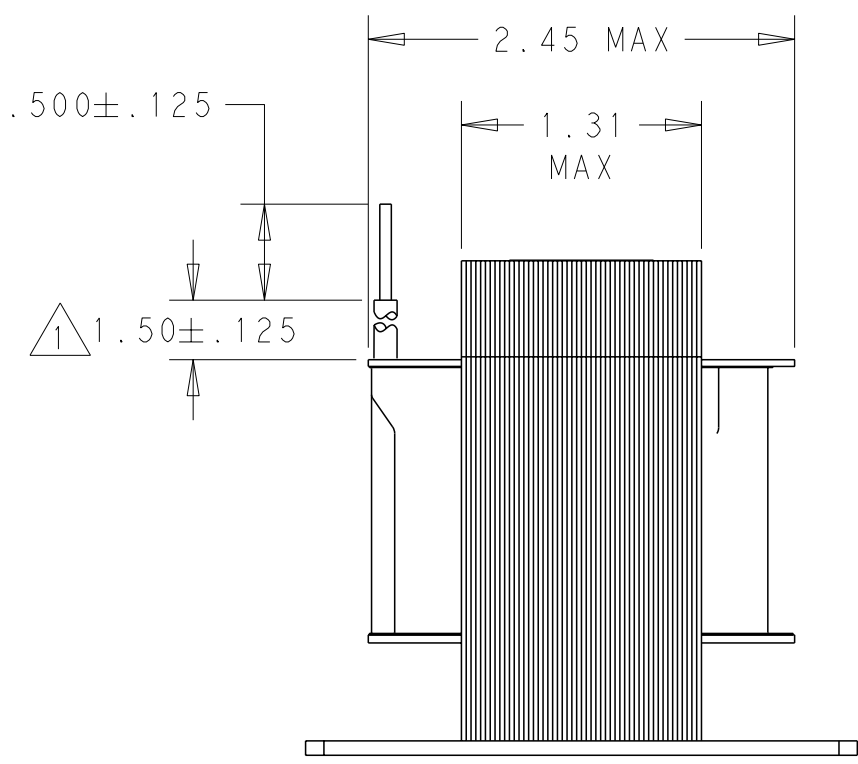
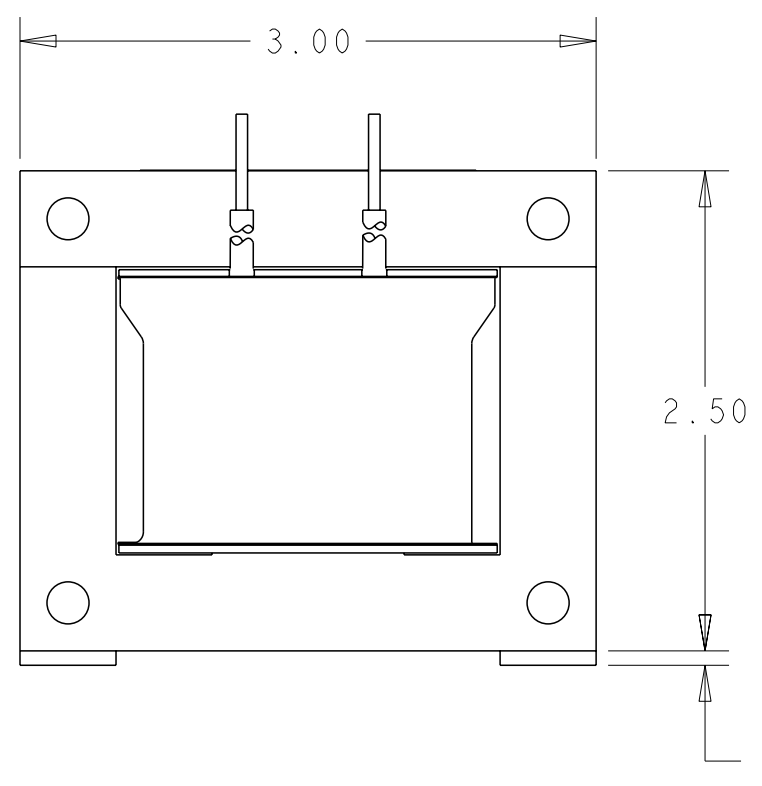
REVISIONS				
P	LTR	DESCRIPTION	DATE	APVD
C		ECR-13-010448	06DEC2013	VS DB



- 1 SLEEVING PVC HT-105, BLACK OR CLEAR.
- 2. CERTIFICATION: UL FILE NO. E102980



SCHEMATIC



2-1611476-7
TE PART NO.

THIS DRAWING IS A CONTROLLED DOCUMENT.		DWN	VIC SLACK 06DEC2013		TE Connectivity	
DIMENSIONS: INCHES		CHK	D. BLOESCH 06DEC2013			
		APVD	D. BLOESCH 06DEC2013			
TOLERANCES UNLESS OTHERWISE SPECIFIED:		PRODUCT SPEC	-			
0 PLC ±- 1 PLC ±.1 2 PLC ±.03 3 PLC ±.015 4 PLC ANGLES ±-		APPLICATION SPEC	-		NAME	TRANSFORMER OUTLINE
MATERIAL	FINISH	WEIGHT	-		SIZE	A300779
-	-	-	-		CAGE CODE	C=7028GE
-		Customer Drawing		SCALE	1:1	SHEET 1 OF 1
-		-		RESTRICTED TO		REV C