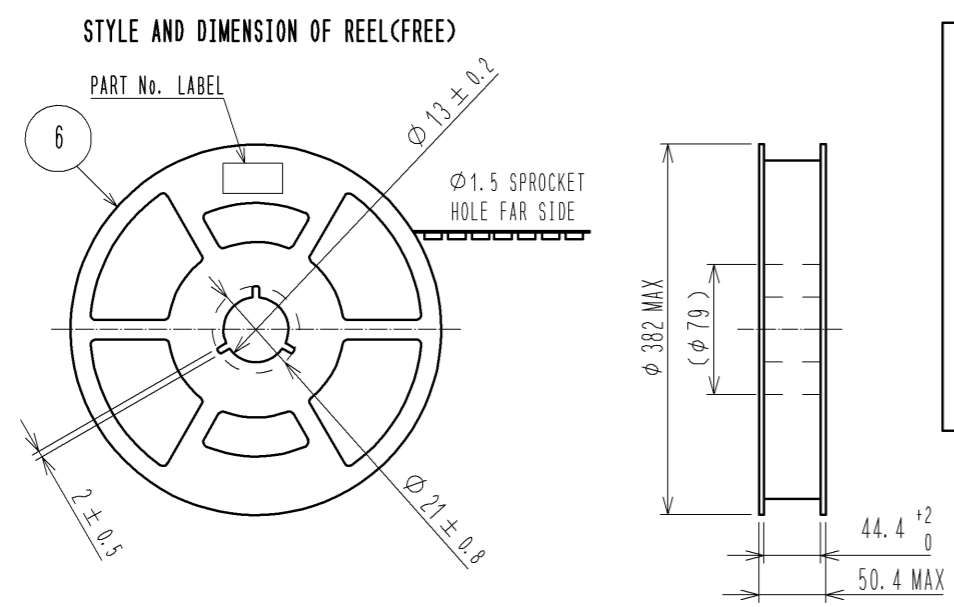
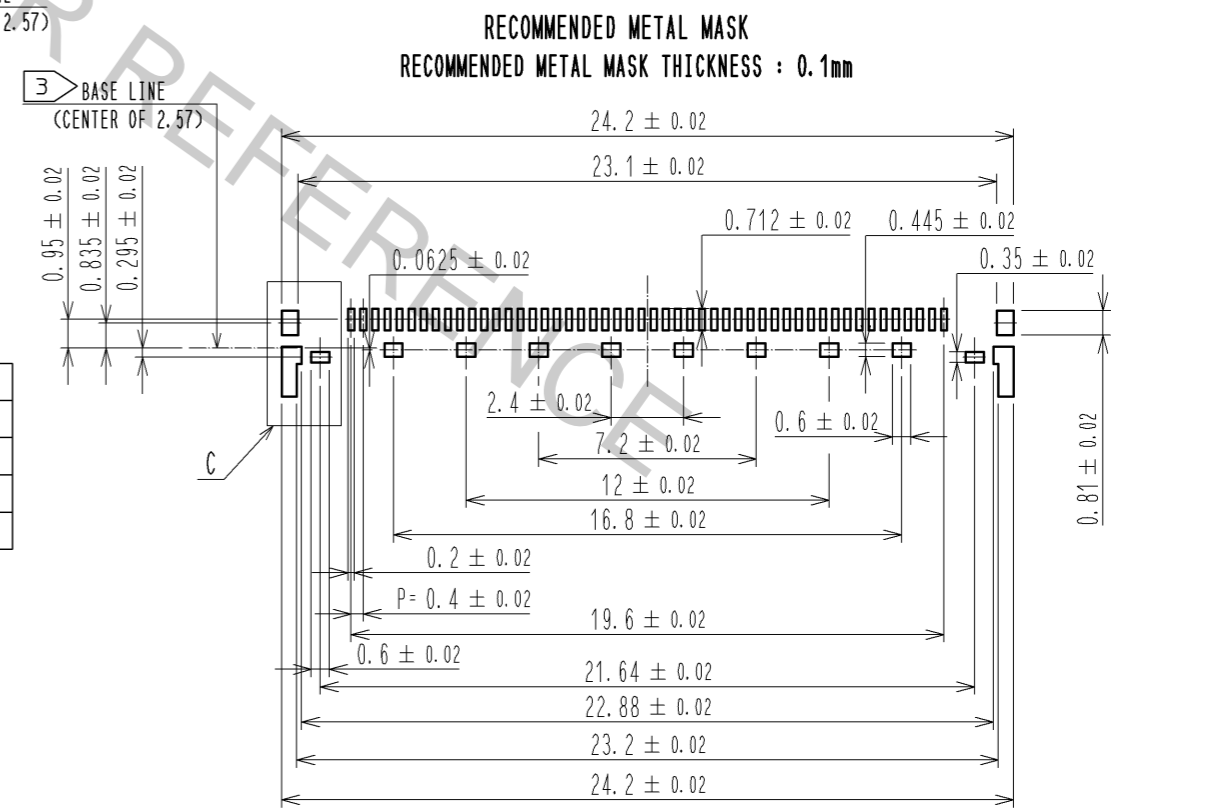
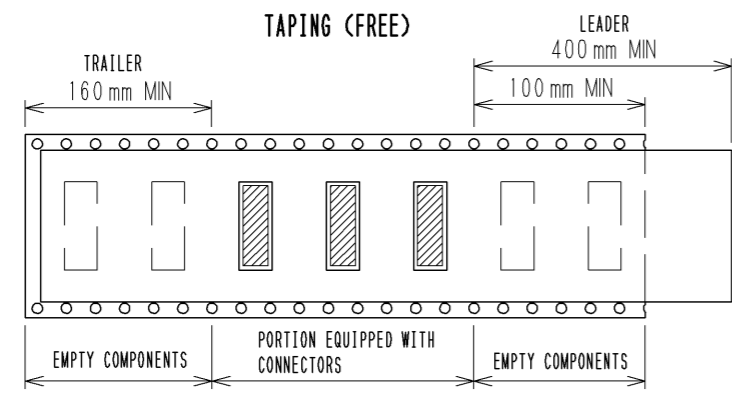
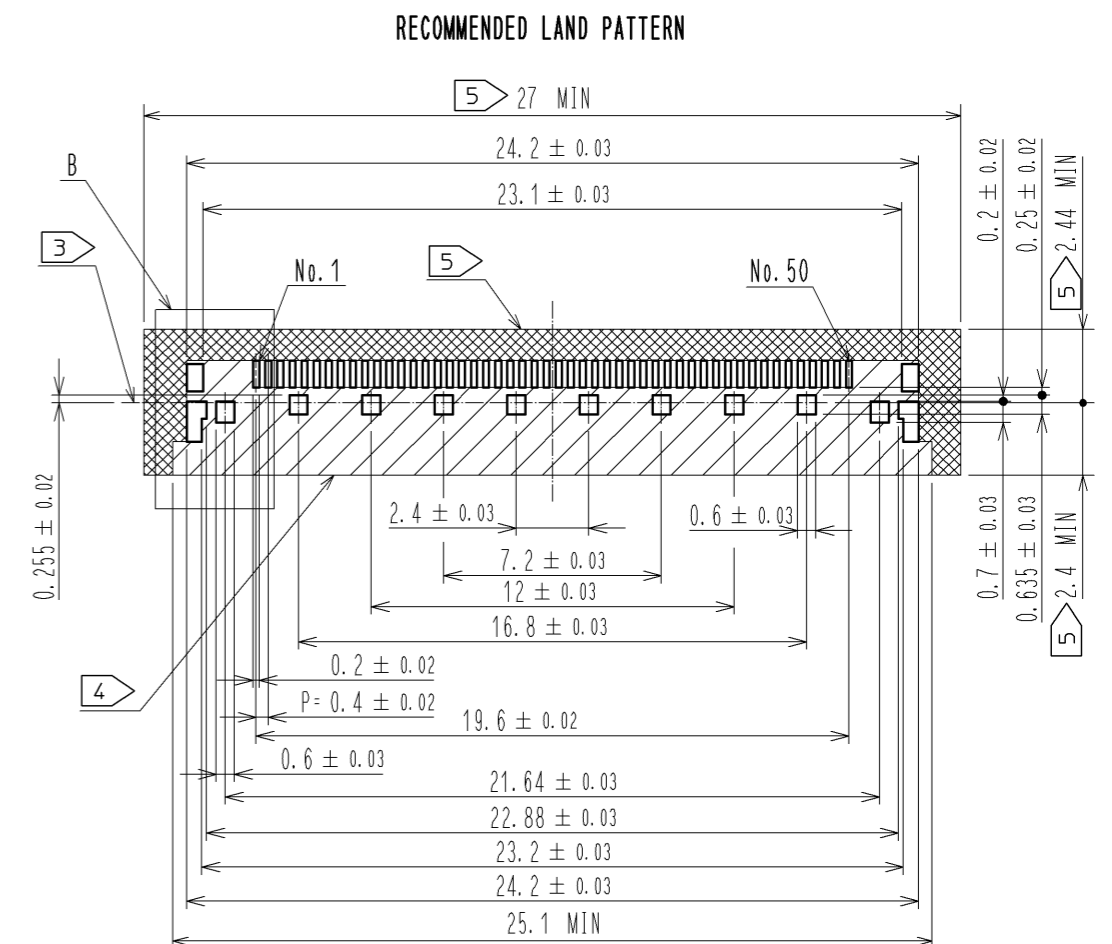
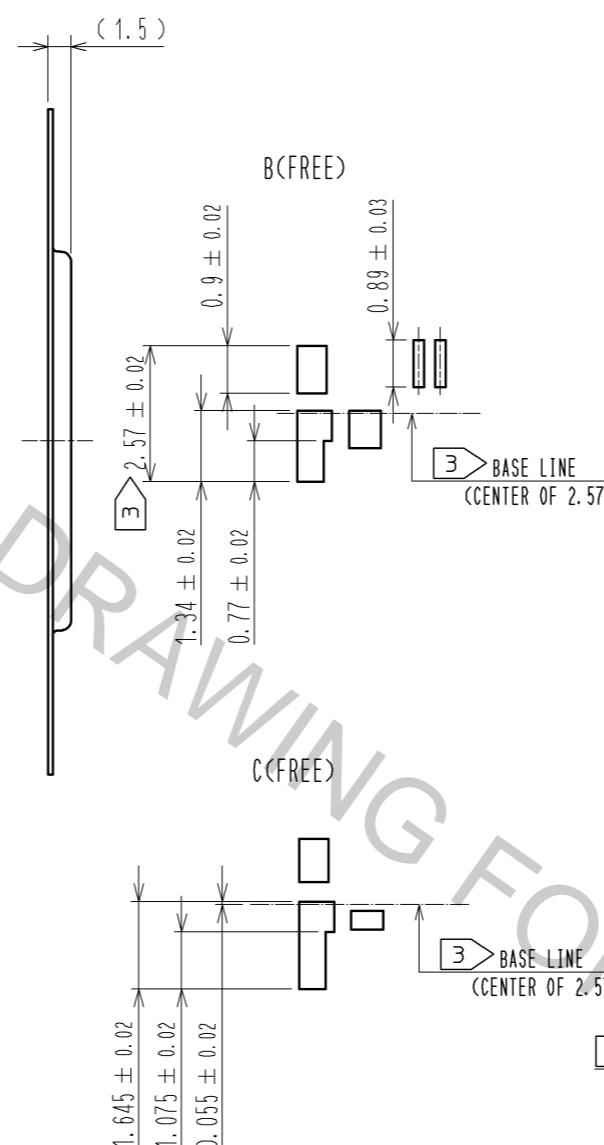
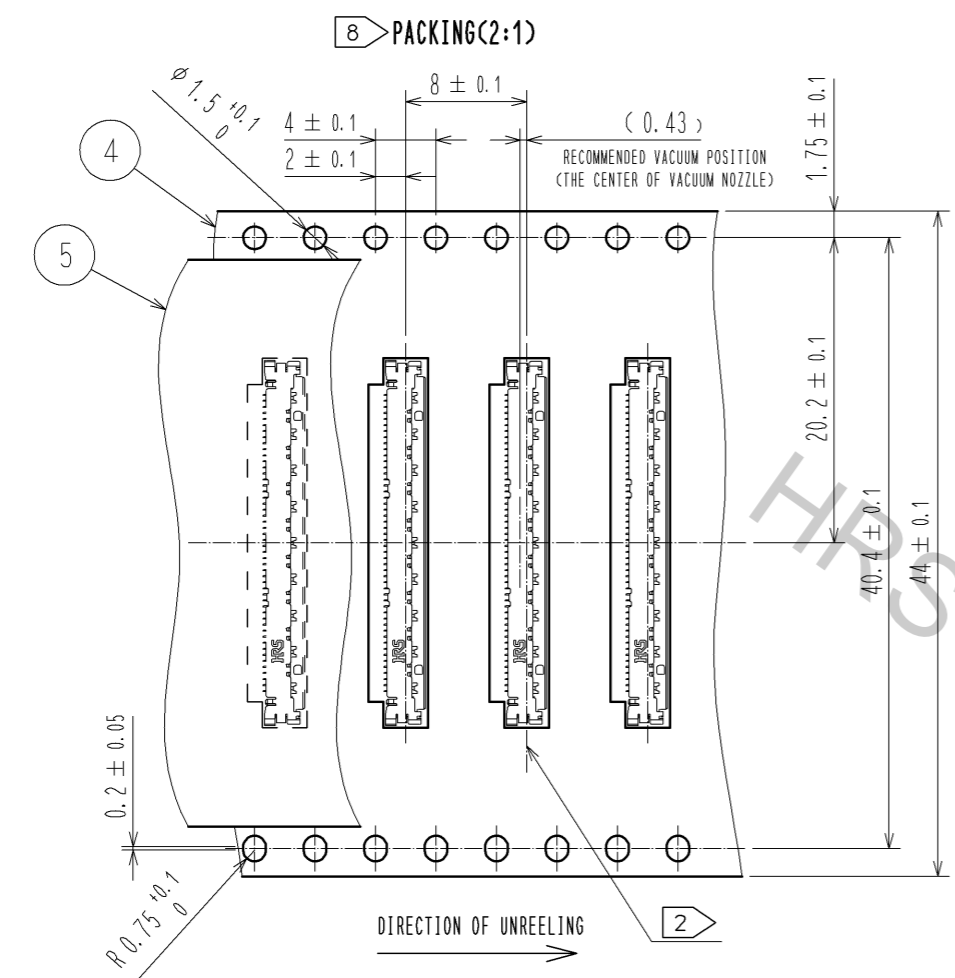


- NOTES
- LEAD CO-PLANARITY SHALL BE 0.1mmMAX.
 - DIRECTED CENTER LINE INDICATES THE CENTER OF 2.75 ± 0.2 WHICH IS CONNECTOR DIMENSION. IT CORRESPONDS WITH THE CENTER LINE OF ENBOSSED POCKET.
 - DIRECTED CENTER LINE INDICATES THE CENTER OF 2.37 ± 0.2 WHICH IS RECOMMENDED LAND PATTERN DIMENSION. IT IS THE BASE LINE OF RECOMMENDED LAND PATTERN DIMENSION AND RECOMMENDED METAL MASK DIMENSION. IT CORRESPONDS WITH THE CENTER OF 2.37 ± 0.2 WHICH IS CONNECTOR DIMENSION.
 - CONDUCTIVE CIRCUIT ON THIS SURFACE REQUIRES THE COVERAGE WITH RESIST.
 - IT INDICATES PROHIBITION AREA OF MOUNTING. IF PARTS WERE MOUNTED ON THIS AREA, THE LOCK OF CONNECTOR BECOMES DISABLED BECAUSE MOUNTED PARTS INTERFERE WITH THE LATCH OF PLUG.
 - PER REEL : 500 COMPONENTS.
 - THE DIMENSIONS IN PARENTHESES ARE FOR REFERENCE.
 - REFER TO JIS 0806. (PACKING OF COMPONENTS FOR AUTO HANDRING)

NO.	MATERIAL	FINISH . REMARKS	NO.	MATERIAL	FINISH . REMARKS
2	LCP	UL94V-0, BLACK	6	PS	BLACK
1	PHOSPHOR BRONZE	CONTACT AREA : Au PLATING 0.1μm MIN. LEAD AREA : Au PLATING 0.05μm MIN. UNDER PLATING : Ni PLATING 1μm MIN.	5	POLYESTER	CLEAR
			4	PS	CLEAR
			3	SUS	CONTACT AREA : Au PLATING 0.05μm MIN. LEAD AREA : Au PLATING 0.05μm MIN. UNDER PLATING : Ni PLATING 0.2μm MIN.

UNITS	SCALE	COUNT	DESCRIPTION OF REVISIONS	DESIGNED	CHECKED	DATE
mm	5 : 1	△				
APPROVED : MH. YAMANE			13.11.26	DRAWING NO. EDC3-340455-02		
CHECKED : MH. TSUCHIDA			13.11.25	PART NO. DF81-50S-0.4H(52)		
DESIGNED : AH. MIYAZAKI			13.11.12	CODE NO. CL662-8102-0-52		
DRAWN : AH. MIYAZAKI			13.11.12	1/2		

Apr.1.2017 Copyright 2017 HIROSE ELECTRIC CO., LTD. All Rights Reserved.



DETAIL OF PART No. LABEL(EXAMPLE)

生産月日	年月日
☒番	CL662-8102-0-52
品名	DF81-50S-0.4H(52)
納入数量	500個
納入者	ヒロセ電機株式会社

SUPPLIER

QUANTITY

PART No.

CODE No.

DATE OF MANUFACTURED

HRS	DRAWING NO.	EDC3-340455-02
	PART NO.	DF81-50S-0.4H(52)
	CODE NO.	CL662-8102-0-52
		$\triangle 2/2$