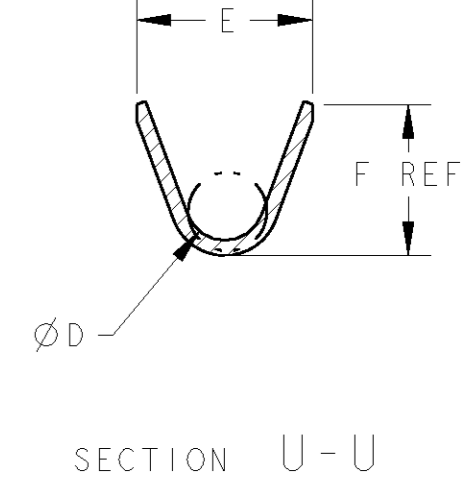
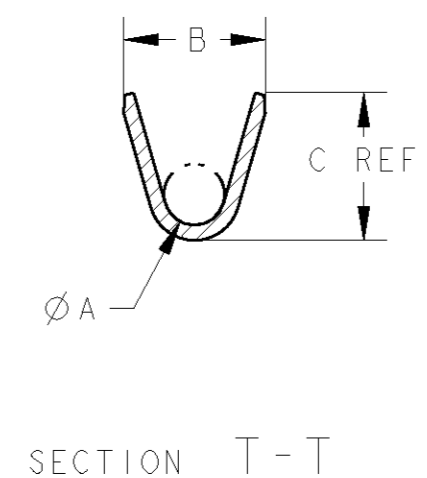
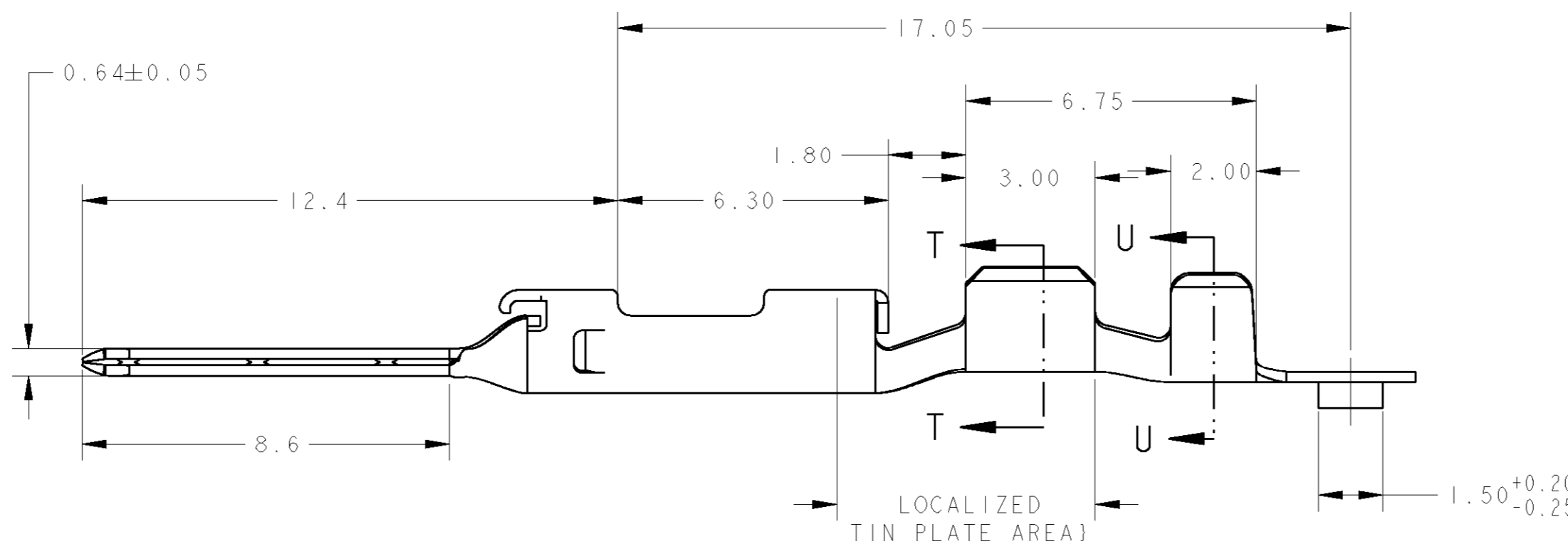
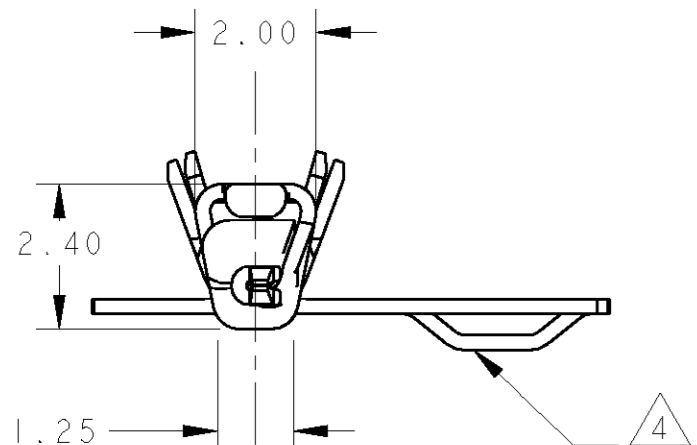
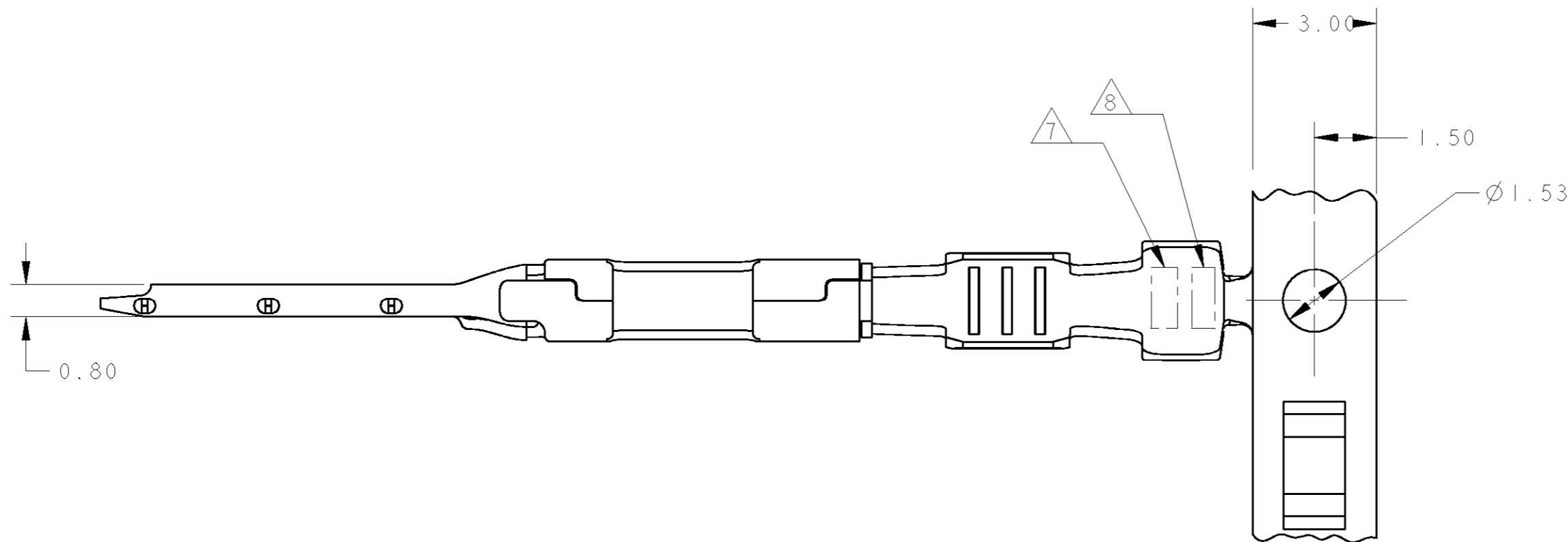
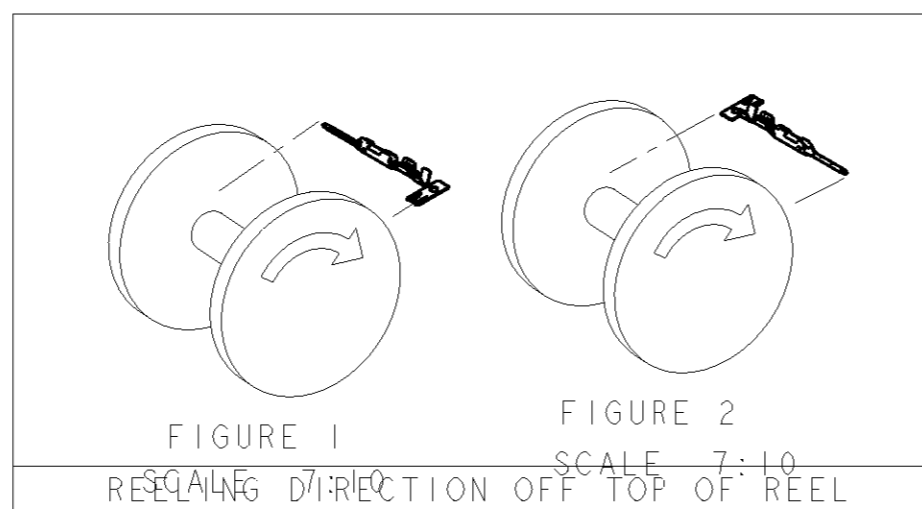


THIS DRAWING IS UNPUBLISHED. RELEASED FOR PUBLICATION 20  
 © COPYRIGHT 20 BY TYCO ELECTRONICS CORPORATION. ALL RIGHTS RESERVED.

LOC	DIST	REVISIONS					
		P	LTR	DESCRIPTION	DATE	DWN	APVD
FX	00	0		EC 0K80-0283-01	2660CT01	FK	AE
		01		EC 0K80-0244-03, 0K80-0288-03	21AUG2003	AH	AE



- 1 MATERIAL: 0.25 THK BRASS
- 2 FINISH: 0.0008 MIN THK MATTE TIN OVER 0.002 MIN NICKEL.
- 3 TERMINAL LUBRICATED WITH ANTI-FRETTING LUBRICANT: MSDS 125-6344.
- 4 FEATURE ON CARRIER STRIP IS RECESSED TO INDICATE TIN PLATED PRODUCT FEATURE APPEARS ADJACENT TO EVERY OTHER CONTACT MIN.
- 5 SEE FIGURE 1 FOR REELING DIRECTION.
- 6 SEE FIGURE 2 FOR REELING DIRECTION.
- 7 AMP TRADEMARK STAMPED IN THIS APPROXIMATE LOCATION. OPPOSITE SIDE.
- 8 WEEK CODE (YWW) STAMPED IN THIS APPROXIMATE LOCATION. OPPOSITE SIDE.



1.80	2.40	1.30	1.90	1.90	0.80	6	22	1488220-4
2.50	2.90	1.30	2.40	2.30	1.00		18-20	1488220-3
1.80	2.40	1.30	1.90	1.90	0.80	5	22	1488220-2
2.50	2.90	1.30	2.40	2.30	1.00		18-20	1488220-1
DIM F	DIM E	DIM D	DIM C	DIM B	DIM A	REELING	WIRE SIZE	PART NUMBER

THIS DRAWING IS A CONTROLLED DOCUMENT FOR TYCO ELECTRONICS CORPORATION. IT IS SUBJECT TO CHANGE AND THE CONTROLLING ENGINEERING ORGANIZATION SHOULD BE CONTACTED FOR THE LATEST REVISION.		DWN E. KINSEY 260CT01	Tyco Electronics Harrisburg, PA 17105-3608	
DIMENSIONS: mm		CHK A. EBRAHEEM 260CT01	NAME CONTACT, MALE, 0.64MM TIN PLATED	
TOLERANCES UNLESS OTHERWISE SPECIFIED: 0 PLC ±.3 1 PLC ±.2 2 PLC ±.2 3 PLC ±. 4 PLC ±. ANGLES ±°		APVD J. MYER 260CT01	APPLICATION SPEC 114-13006	
MATERIAL 1	FINISH 2	PRODUCT SPEC -	SIZE A2	RESTRICTED TO -
CUSTOMER DRAWING		WEIGHT -	CAGE CODE 00779	DRAWING NO 1488220
		SCALE 8:1	SHEET 1	REV 01