

PROPER USE GUIDELINES

Cumulative Trauma Disorders can result from the prolonged use of manually powered hand tools. Hand tools are intended for occasional use and low volume applications. A wide selection of powered application equipment for extended-use, production operations is available.

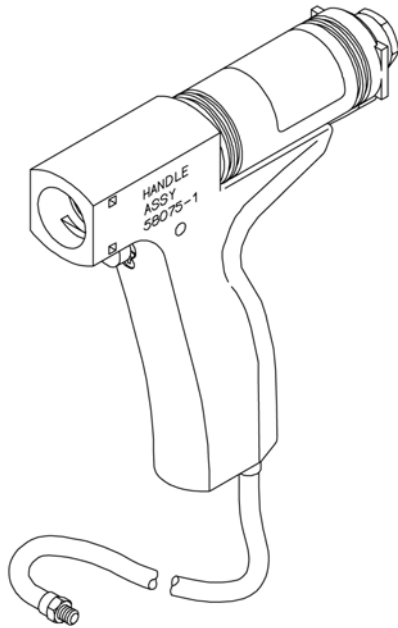


Figure 1

personal injury, as well as damage to the equipment. For best results, application equipment must be operated in a dry, dust-free environment. Do not operate equipment in a gaseous or hazardous environment.

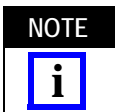
Carefully observe the following safety precautions before and during operation of the equipment:

- ALWAYS wear appropriate ear protection.
- ALWAYS wear approved eye protection when operating powered equipment.
- ALWAYS keep guard(s) in place during normal operation.
- ALWAYS disconnect the tool from its power source when performing maintenance on the equipment.
- NEVER wear loose clothing or jewelry that may catch in moving parts of the application equipment.
- NEVER insert hands into installed application equipment.
- NEVER alter, modify, or misuse the application equipment.

1. INTRODUCTION

These instructions deal with the safety, installation, operation and maintenance of the Pistol Grip Pneumatic Handle Assembly 58075-1. See Figure 1.

Pistol Grip Pneumatic Handle Assembly 58075-1 accepts interchangeable terminating heads that terminate wires in connectors. To ensure accurate termination of wires, setup adjustments, and head maintenance, refer to the instructions packaged with the terminating head.



Dimensions in this instruction sheet are in metric units [with U.S. customary units in brackets]. Figures are for reference only and are not drawn to scale.

Reasons for reissue of this instruction sheet are provided in Section 9, REVISION SUMMARY.

2. SAFETY PRECAUTIONS AND COMPANY CONTACT

2.1. Safety

Safeguards are designed into this application equipment to protect operators and maintenance personnel from most hazards during equipment operation. However, certain safety precautions must be taken by the operator and repair personnel to avoid

2.2. Contact

CALL TOLL FREE 1-800-722-1111 (CONTINENTAL UNITED STATES AND PUERTO RICO ONLY)

The Tooling Assistance Center offers a means of providing technical assistance when required.

In addition, Field Service Specialists are available to provide assistance in the adjustment or repair of the application equipment when problems arise which your maintenance personnel are unable to correct.

When calling the Tooling Assistance Center regarding service to equipment, it is suggested that a person familiar with the device be present with a copy of the manual (and drawings) to receive instructions. Many difficulties can be avoided in this manner.

When calling the Tooling Assistance Center, be ready with the following information:

1. Customer name
2. Customer address
3. Person to contact (name, title, telephone number, and extension)
4. Person calling

- | | |
|---|--|
| <p>5. Equipment number (and serial number if applicable)</p> <p>6. Product part number (and serial number if applicable)</p> <p>7. Urgency of request</p> | <p>8. Nature of problem</p> <p>9. Description of inoperative component(s)</p> <p>10. Additional information/comments that may be helpful</p> |
|---|--|



Read and understand the entire manual before using the tool.



Always wear appropriate eye protection when using the tool.



Always disconnect the air and lockout the tool when not in use, when performing maintenance on the tool, or when clearing a jammed tool.



Pinch point warning: Keep hands clear of moving parts during operation.



Measurements are in metric units [followed by U.S. customary units in brackets]. Illustrations are for identification only and are not drawn to scale.



This unit should only be operated by trained personnel.



If not using quick-disconnect fittings to connect the tool to the air supply, provide operators other means to easily disconnect the tool from the air supply.



This tool is not insulated for coming into contact with electric power sources.



Do not use this tool in explosive atmospheres.



Stored gas or fluid energy may cause a hazard.



There is a risk of whipping if a hose is not properly installed or becomes detached.

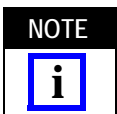
Read these instructions thoroughly before operating any of the pneumatic tools. The performance of these tools will depend largely upon the intelligent use of information contained in this manual and pay particular attention to DANGER, CAUTION, and NOTE statements.



Denotes an imminent hazard which may result in moderate or severe injury.



Denotes a condition which may result in product or equipment damage.



Highlights special or important information.

3. DESCRIPTION

The pneumatic handle assembly features a molded nylon handle with a trigger and an air tube. The handle holds an air cylinder with a key which retains the terminating head in the body and allows the head to be rotated. Refer to Figure 2.

In this use, the handle assembly noise level with the terminating head emits a maximum of 78 dB, and the vibration level is less than 2.5 mm/s².

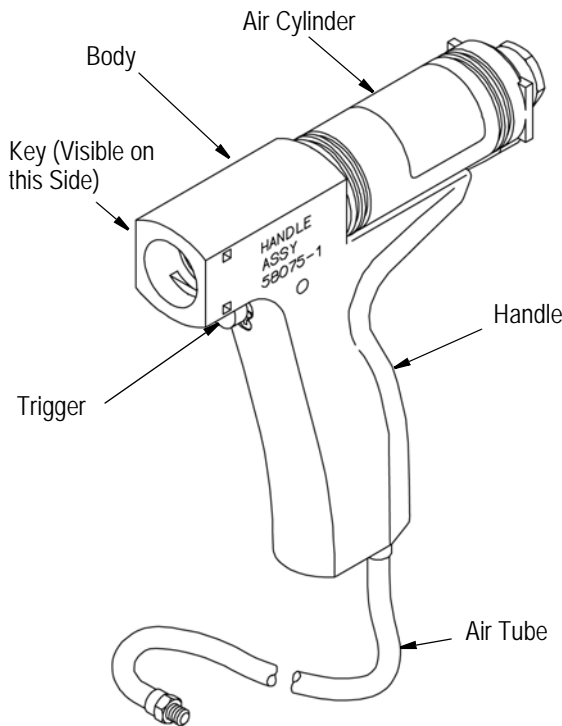


Figure 2

4. HEAD INSTALLATION AND REMOVAL



To avoid personal injury, ALWAYS disconnect handle assembly from the air supply when installing or removing the terminating head.

1. Disconnect and/or lockout the tool from its air supply.
2. Position the blade tip of a screwdriver between the shoulder of the key and the handle assembly body. Pry and remove the key.
3. Insert the terminating head into the head entrance until the head bottoms. See Figure 3.

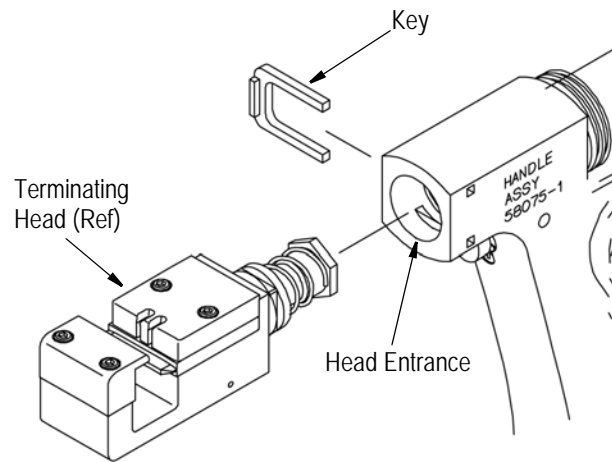


Figure 3

4. Re-insert the key to retain the head.
5. To remove the head, remove the key and pull the head out of the handle assembly.

5. SETUP

It is recommended that a regulator-filter-lubricator unit with the lubricator adjusted to the minimum setting be used with the handle assembly. Refer to Figure 4.

It is also recommended that quick-disconnect fittings are used to connect the tool to the air supply. If not using quick-disconnect fittings, provide a pneumatic lock-out on the air line that bleeds air after it is turned off.

The handle assembly is designed to operate with an air pressure range of 276 to 483 kPa [40 to 70 psi]. Service life can be greatly extended when only the necessary air pressure is applied. Excessive pressure causes wear and strain on handle assembly components and the connectors.



Do not use this tool as a blunt object, a crushing device, or for any purpose other than crimping the proper specified product. Inappropriate use of the tool could result in personal injury or damage to the tool.

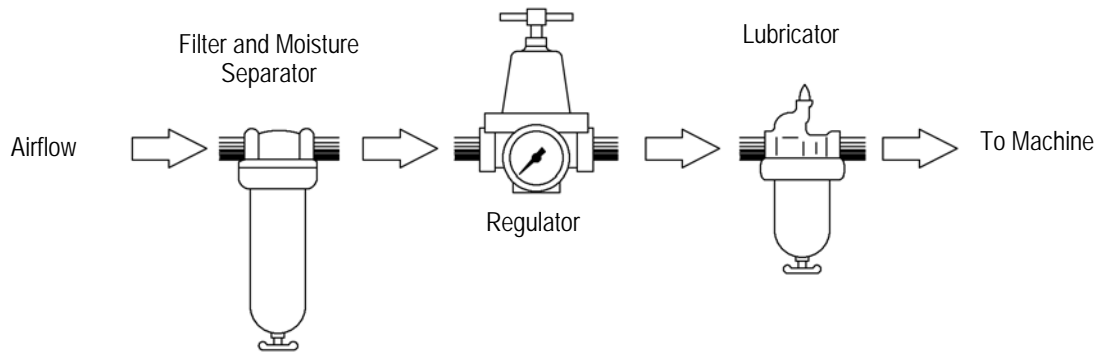


Figure 4

6. OPERATION

The following procedure provides only general information concerning crimping. Refer to the instructions packaged with the terminating heads for detailed information including wire stripping dimensions and instructions for positioning terminals in the terminating heads.

1. Insert the connector into the left side of the head.
2. Align the contact to be terminated with the wire inserter of the head. Make sure that the locating pawl rests between the connector index ribs.
3. Insert an unstripped wire into the funnel area between the contact and the wire inserter until it bottoms on the tool base.
4. Depress the trigger of the handle assembly and hold it until the wire inserter bottoms.
5. Release the trigger. The wire inserter will retract and the feed slide will automatically advance the connector to the next contact position.
6. Repeat steps 2 through 5 until all contacts have been terminated.
7. Inspect each termination.

7. MAINTENANCE AND INSPECTION



To avoid personal injury, ALWAYS disconnect the handle assembly from the air supply when performing maintenance or inspection procedures.

It is recommended that a maintenance and inspection program be performed periodically to ensure dependable and uniform terminations. Though recommendations call for at least one inspection a month, frequency of inspection depends on:

1. The care, amount of use, and handling of the handle assembly.
2. The presence of abnormal amounts of dust and dirt.

3. The degree of operator skill.

4. Your own established standards.

The handle assembly is inspected before being shipped; however, it is recommended that the handle assembly be inspected immediately upon arrival to ensure that the handle assembly has not been damaged during shipment.

7.1. Daily Maintenance

Each operator should be aware of, and responsible for, the following:

1. Remove dust, moisture, and other contaminants with a clean brush, or soft, lint-free cloth. DO NOT use objects that could damage the handle assembly.
2. Ensure that all components are in place and properly secured.
3. With the terminating head in place, connect the air supply, then squeeze and release the trigger to ensure that the mechanisms and plunger move smoothly.

7.2. Periodic Inspection (At Least Once a Month)

1. Remove any accumulated film with a suitable cleaning agent that will not affect plastic material.
2. Make sure all components are in place and are properly secured. Refer to Figure 5. Check the handle assembly for chipped, cracked, worn, or broken areas. If damage is evident, repair is necessary. See Section 8, REPLACEMENT AND REPAIR.

8. REPLACEMENT AND REPAIR

Customer-replaceable parts are listed in Figure 5.

A complete inventory can be stocked and controlled to prevent lost time when replacement of parts is necessary. Parts other than those listed should be replaced by TE to ensure quality and reliability of the handle assembly. Order replacement parts through

your representative, or call 1-800-526-5142, or send a facsimile of your purchase to 717-986-7605, or write to:

CUSTOMER SERVICE (038-035)
 TYCO ELECTRONICS CORPORATION
 PO BOX 3608
 HARRISBURG PA 17105-3608

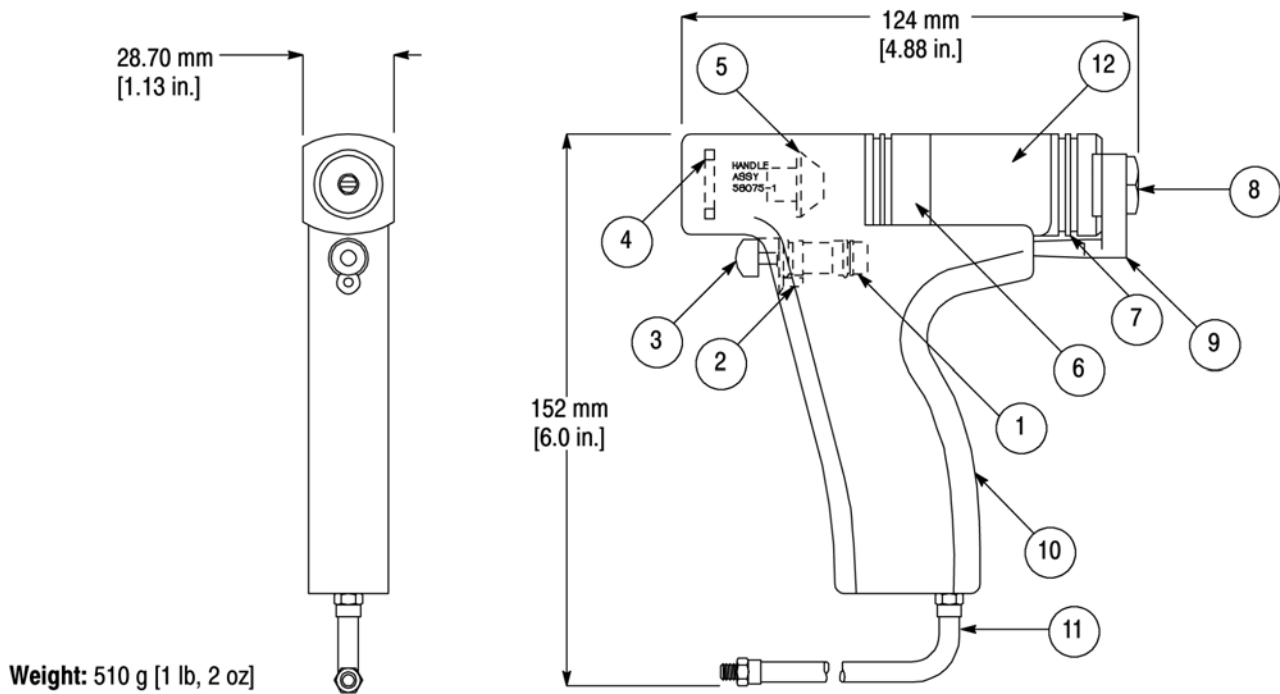
or

TYCO ELECTRONICS CORPORATION UK LTD
 BARTON TORS
 BIDEFORD
 NORTH DEVON, GREAT BRITAIN

For customer repair service, call 1-800-526-5136.

9. REVISION SUMMARY

Since the previous release of these instructions, the new company logo was applied, and the document was re-formatted and re-arranged.



ITEM	PART NUMBER	DESCRIPTION	QTY PER ASSEMBLY
1	27174-1	VALVE, Poppet	1
2	1-21003-3	SCREW, Flat Head Socket Cap	1
3	28472-1	PUSH BUTTON TRIGGER, Valve Actuator	1
4	312140-1	KEY	1
5	312141-1	NUT, Cam Adjustment	1
6	312157-1	AIR CYLINDER	1
7	21086-6	O-RING	2
8	310421-1	PLUG, Cap	1
9	310424-1	BRACKET, Air Cylinder	1
10	312156-1	HANDLE	1
11	312622-2	SUBASSEMBLY, Air Tube	1
12	217915-1	LABEL, CE	1

Figure 5