

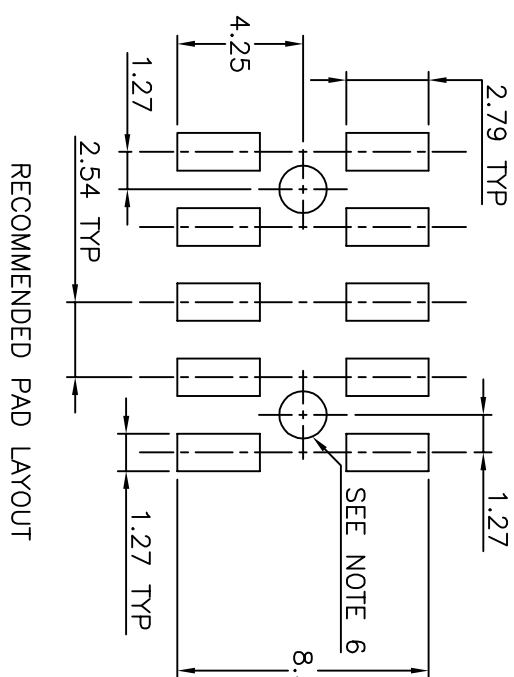
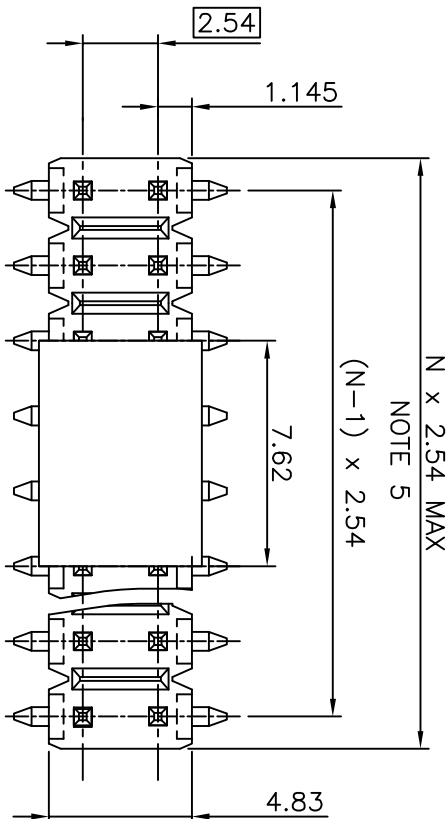
PRODUCT NUMBER  
98401-XXX-XXLF

RoHS COMPATIBLE, SEE NOTE 7  
TOTAL NB OF POSITIONS, 6 TO 54  
PACKAGING TYPE, NOTE 3

- PLATING
- 1 = 0.76µm GOLD/GXT ON CONTACT AREA, 2µm TIN ON TAILS
  - 4 = 2.0µm TIN MIN FULL PLATED
  - 5 = 0.25µm GOLD/GXT ON CONTACT AREA, 2µm TIN MIN ON TAILS
  - 8 = 0.38µm GOLD/GXT ON CONTACT AREA, 2µm TIN MIN ON TAILS

1.27µm NICKEL MIN UNDERLAYER FOR ALL PLATING VERSIONS

PIN STYLE	MATING	DIM"A"	OAH
01	5.84	9.6	10.2
02	8.08	11.8	12.4
03	13.00	16.8	17.4
06	10.50	14.3	14.9
07	14.50	18.3	18.9
08	7.30	11.1	11.7



NOTES:

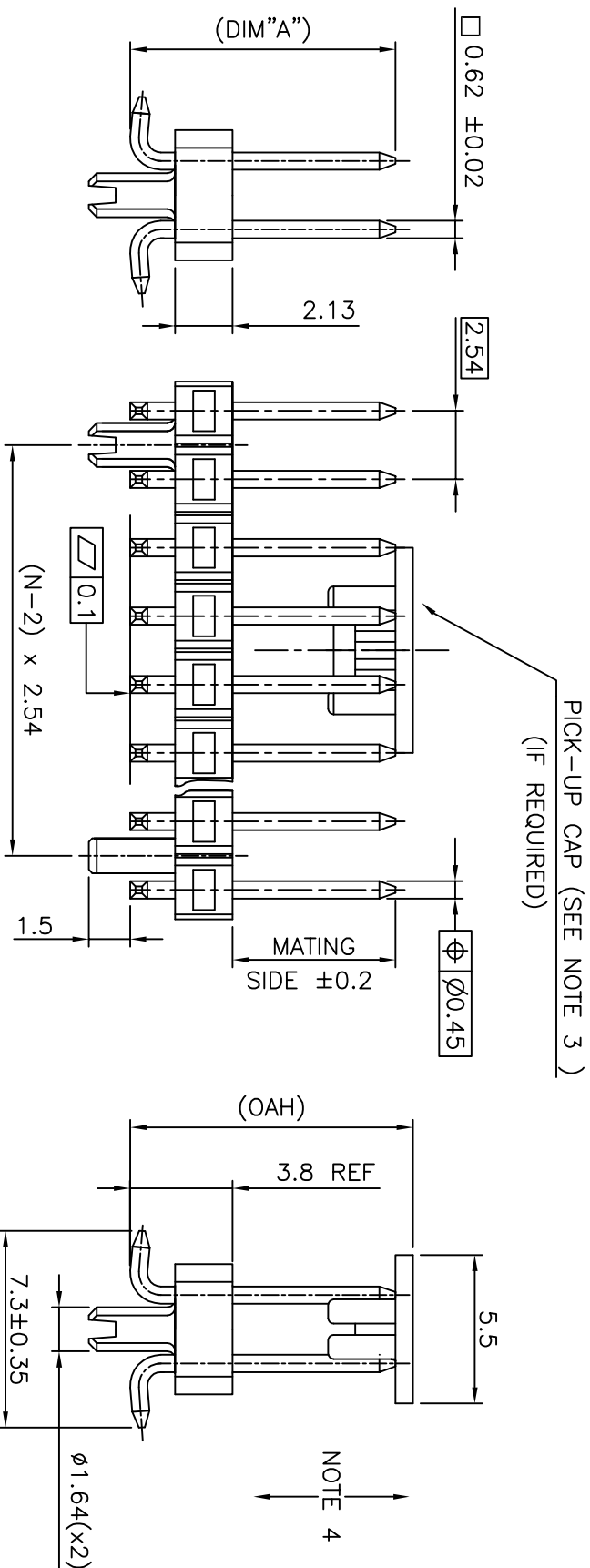
1. HOUSING MAT'L : HIGH TEMPERATURE THERMOPLASTIC. UL94V-0 COLOR: BLACK
2. PIN MATERIAL : PHOSPHOR BRONZE
3. PACKAGING :

- = POLY BAGS
- A = TAPE & REEL WITH PICK UP CAP, AS AVAILABLE
- AV = TAPE & REEL WITH PICK UP CAP FOR CUSTOMER DEDICATED PART
- TV = TUBE WITHOUT PICK UP CAP FOR CUSTOMER DEDICATED PART
- K = TAPE & REEL WITHOUT PICK-UP CAP, AS AVAILABLE.

4. 9N MIN RETENTION IN EITHER DIRECTION
5. TO DETERMINE DIMENSIONS :  
N = NUMBER OF POSITIONS PER ROW  
EXAMPLE : 8 POS N x 2.54 = 20.32mm
6. HOLE DIMENSION TO BE  $\phi 1.6 \pm 0.03$  FOR INTERFERENCE FIT APPLICATIONS.  
HOLE DIMENSIONS TO BE  $\phi 1.95 \pm 0.05$  FOR LOCATION APPLICATION WITH AUTOMATIC PICK AND PLACE MACHINES.

7. ROHS COMPATIBLE PRODUCT SPECIFICATIONS

- d - PLATING:
- "LF" MEANS THE PRODUCT IS LEAD-FREE, 2µm MINIMUM MATTE TIN OVER 1.27µm MINIMUM NICKEL UNDERPLATE.
- b - MANUFACTURING PROCESS COMPATIBILITY
- THE HOUSING WILL WITHSTAND EXPOSURE TO 260°C PEAK TEMPERATURE FOR 30 SECONDES IN A CONVECTION, INFRA-RED OR VAPOR PHASE REFLOW OVEN.
- c - LABELING:
- MEETS PACKAGING SPECS AS PER GS-14-920
- d - LEGAL STATEMENT: SEE GS-47-0004



mat'l. code		surface		tolerance		projection		product family	
SEE NOTES		ISO 1302		ISO 406 ISO 1101		mm		BERGSTIK	
ltr	ecn no	dr	date	tolerances unless otherwise specified		mm		title	
Y	F-25055	JDA	16.09.28	angles	linear	xxx ±0.3	xxx ±0.13	UNSHR.HEADER	
T	B-19704	BVE	14.12.11			xxxx ±0.05		DR SMT	
U	F-21501	AMA	15.07.23		D.LE	01.01.24		sheet 1 of 1	
V	F-23055	AMA	16.01.15		JM.C	01.01.24		size	
W	F-23416	JUV	02.03.16		JM.C	01.01.24		98401	
X	F-24422	AMA	16.06.30		JF.N	01.01.24		A3	
Sheet index	revision	sheet						Drawing	
								CUSTOMER	