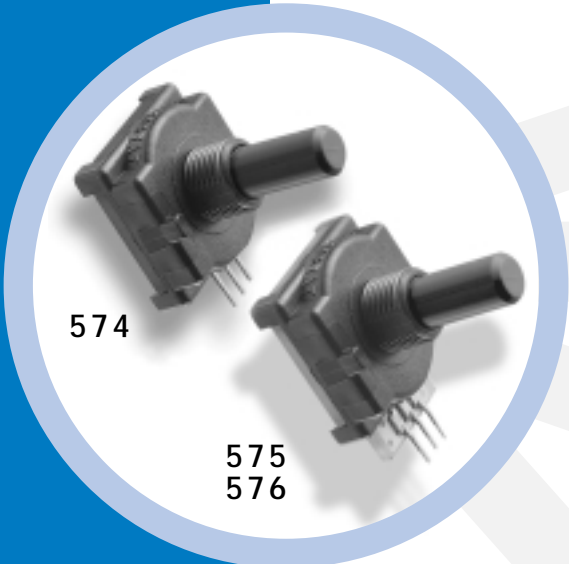


Model 574, 575, 576

NEW



Electrical

RESISTANCE RANGE:
 100Ω to 2.5 megΩ- Linear
 500Ω to 1.0 megΩ- Non-linear

RESISTANCE TOLERANCE:
 ±20% Standard
 ±10% Optional

LINEARITY:
 ±5% Independent

POWER RATING:
 Bushing Mount
 0.5 Watt @ 70°C- Linear Taper
 0.25 Watt @ 70°C- Non-Linear Taper
 PC Mount
 0.25 Watt @ 70°C
 Derate to 0 Watt @ 120°C

EFFECTIVE ROTATION:
 270° Nominal

MINIMUM RESISTANCE:
 4Ω Max. Each End- Linear
 4Ω Max. Low End,
 1% High End- Non-Linear

MAXIMUM CONTINUOUS WORKING VOLTAGE:
 350 VAC

DIELECTRIC WITHSTANDING VOLTAGE:
 Sea Level- 750 VAC
 70000 Feet- 350 VAC

DYNAMIC NOISE (CRV):
 2% of Rt Standard- Linear

Mechanical

CONSTRUCTION:
 Mounting- Bushing or PC
 Locating Pin- @ 9 o'clock
 "B" Type Mtg. Bracket
 "C" Type Mtg. Bracket
 Not Sealed for Washing
 Detents- Center, 20, None, Left & Right
 Shaft Variations- See Diagram
 Special shaft ends available

TERMINALS:
 Number- 3 In Line
 Strength- 2 lb Push & Pull
 Taps- Center tap

MECHANICAL ROTATION:
 300° ± 5°

TORQUE:
 Operating- 0.2 to 2.5 oz. in.,
 Stop- 8 in. lbs
 Mounting- 7 in. lbs

Environmental

STORAGE TEMPERATURE:
 -40°C to +120°C

TEMPERATURE CYCLING:
 -40°C to +120°C
 (4% Δ Rt)

LOAD LIFE:
 1000 hrs. Rated Load @ 70°C
 10% Δ Rt

ROTATIONAL LOAD LIFE:
 10% Δ Rt Max at Rated Cycle Life

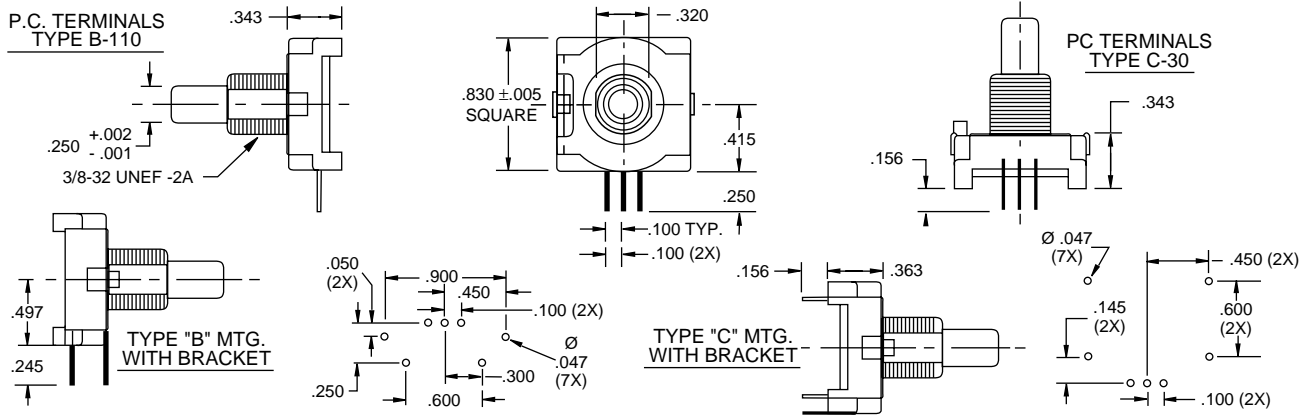
HUMIDITY:
 85% R.H. @ 40°C, 240 hours,
 per MIL STD
 103B Test Condition A

FEATURES:	574	575	576
<i>Flat-pak Type</i>	Low mount	Square	Long-life
<i>Rotational Life</i>	50K cycles	50K cycles	2M cycles
<i>Grid Type</i>	.100	.100/.200	.100/.200
<i>Terminals</i>	PC	PC & S.H.	PC & S.H.
<ul style="list-style-type: none"> • Conductive Plastic Element • Quiet Electrical Output • Smooth Feel • Robust Construction 			

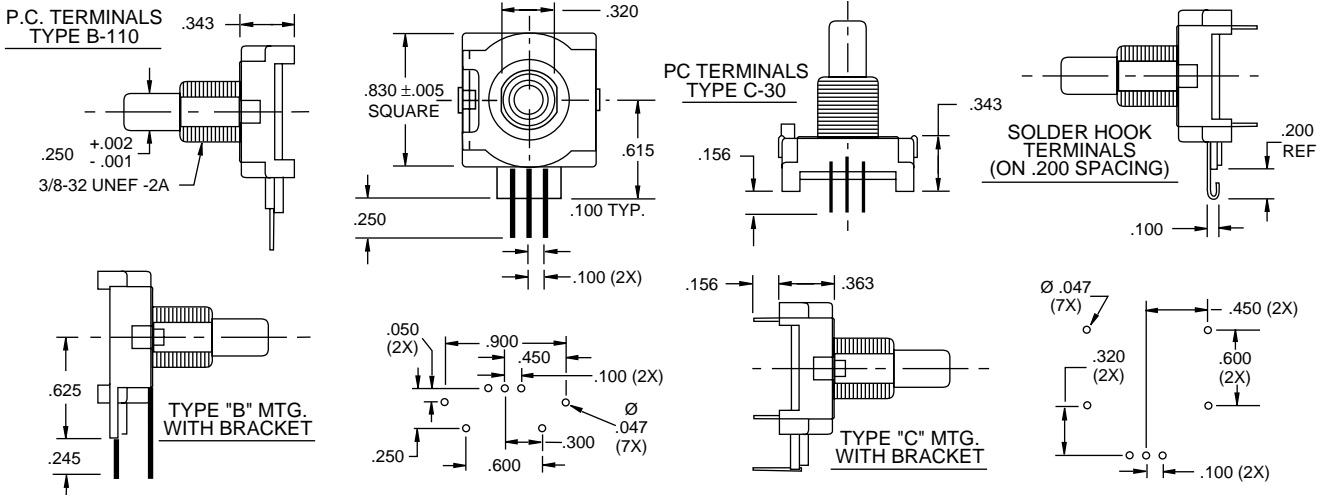
ISO 9001
 CERTIFIED



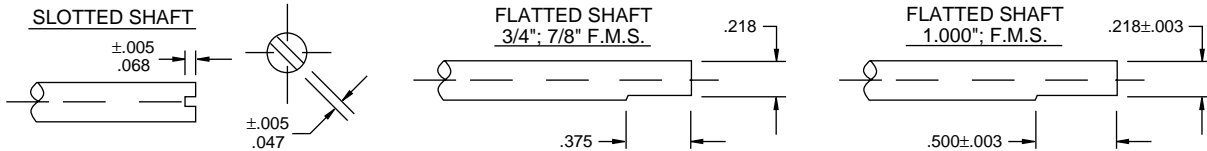
DIMENSIONS for Series 574



DIMENSIONS for Series 575, 576



SHAFT DIMENSIONS for Series 574, 575, 576



ORDERING INFORMATION

When ordering, indicate the desired options as shown in this example:

575 S X 1 G 48 S 103 S C

SERIES 574 575 576	NUMBER OF SECTIONS S: Single	LOCATING PIN 0: None 1: 9:00 Position	SHAFT LENGTH CODE Single Shafts (Code-FMS in 64ths) 48: 3/4" L 56: 7/8" L 64: 1.0" L	SHAFT STYLE S: Slotted F: Flatted	TAPER & TOLERANCE S: Linear, \pm 20% Z: CW Log, \pm 20% R: CCW Log, \pm 20%	TERMINAL CONFIGURATION SERIES 574 P: PC, 0.250"L, B-110 .100 Grid C: PC, 0.156"L, C-30 .100 Grid B: P w/B Mtg. Bracket D: C w/C Mtg. Bracket SERIES 575-576 P: PC, 0.250"L, B-110 .100 Grid R: PC, 0.250"L, B-110 .200 Grid C: PC, 0.156"L, C-30 .100 Grid F: PC, 0.156"L, C-30 .200 Grid B: P w/B Mtg. Bracket G: R w/B Mtg. Bracket D: C w/C Mtg. Bracket H: F w/C Mtg. Bracket S: Solder Hook-200 Grid Hardware not included.																					
MECHANICAL CONFIGURATION Series 574-575 X- No Detent D- Center Detent E- 20 Detent F- Center Tap G- Center Tap, Center Detent Series 576 X- No Detent F- Center Tap			BUSHING SIZE & SHAFT DIAMETER G: 3/8"D x 3/8"L 1/4"D Shaft A: 3/8"D x 1/4"L 1/4"D Shaft M: M9 x 1/4"L 1/4"D Shaft		RESISTANCE CODE (EIA Code-first two significant digits, third is number of zeros) Standard Values <table border="1"> <tr> <td>100</td> <td>10K</td> <td>500K</td> </tr> <tr> <td>250</td> <td>20K</td> <td>750K</td> </tr> <tr> <td>500</td> <td>25K</td> <td>1meg</td> </tr> <tr> <td>750</td> <td>50K</td> <td>2.0meg</td> </tr> <tr> <td>1K</td> <td>75K</td> <td>2.5meg</td> </tr> <tr> <td>2.5K</td> <td>100K</td> <td></td> </tr> <tr> <td>5K</td> <td>250K</td> <td></td> </tr> </table>		100	10K	500K	250	20K	750K	500	25K	1meg	750	50K	2.0meg	1K	75K	2.5meg	2.5K	100K		5K	250K	
100	10K	500K																									
250	20K	750K																									
500	25K	1meg																									
750	50K	2.0meg																									
1K	75K	2.5meg																									
2.5K	100K																										
5K	250K																										

To order or for custom applications, call 800-874-1874

800 874 1874 · Clarostat Sensors and Controls · El Paso, Texas 79936

CLAROSTAT