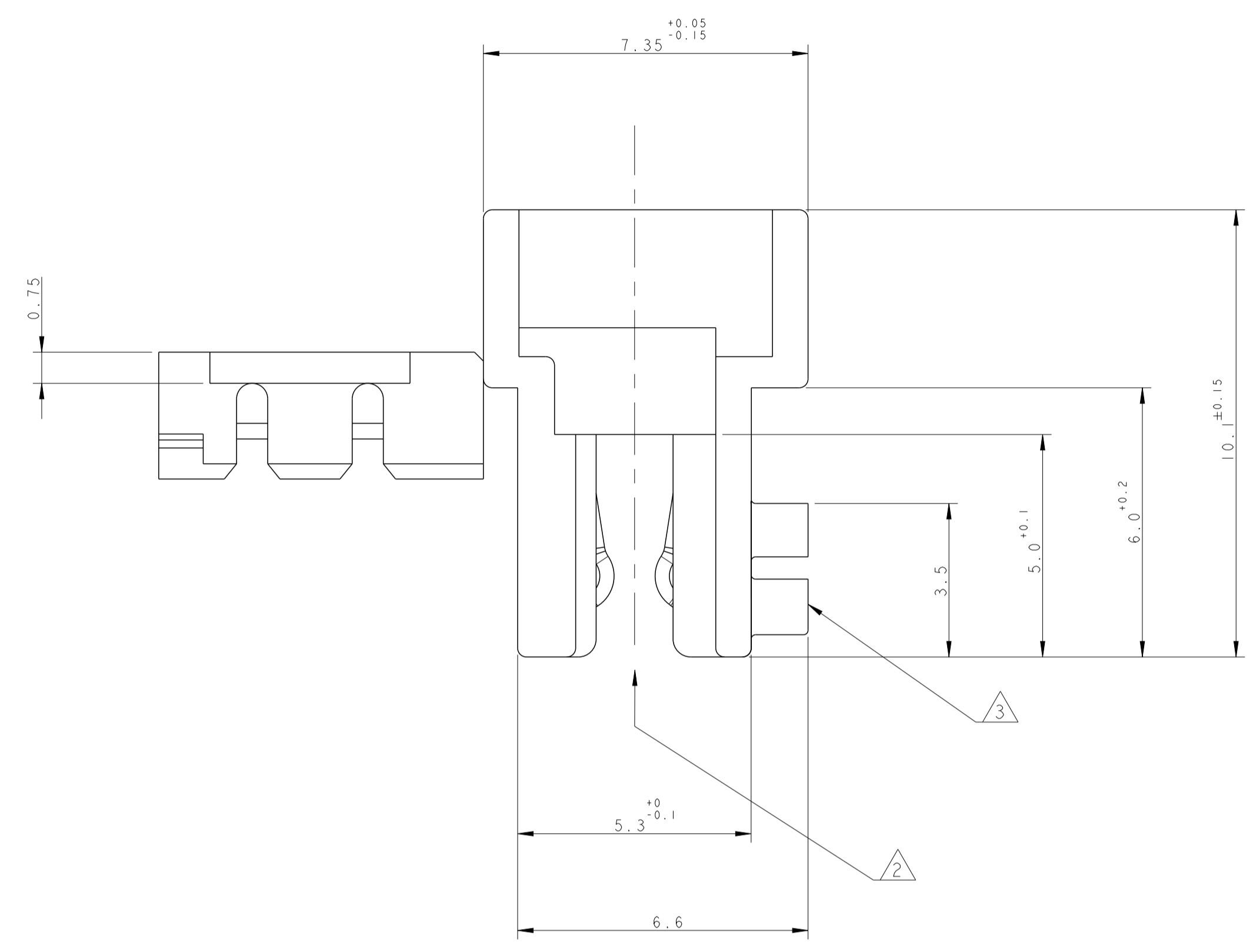
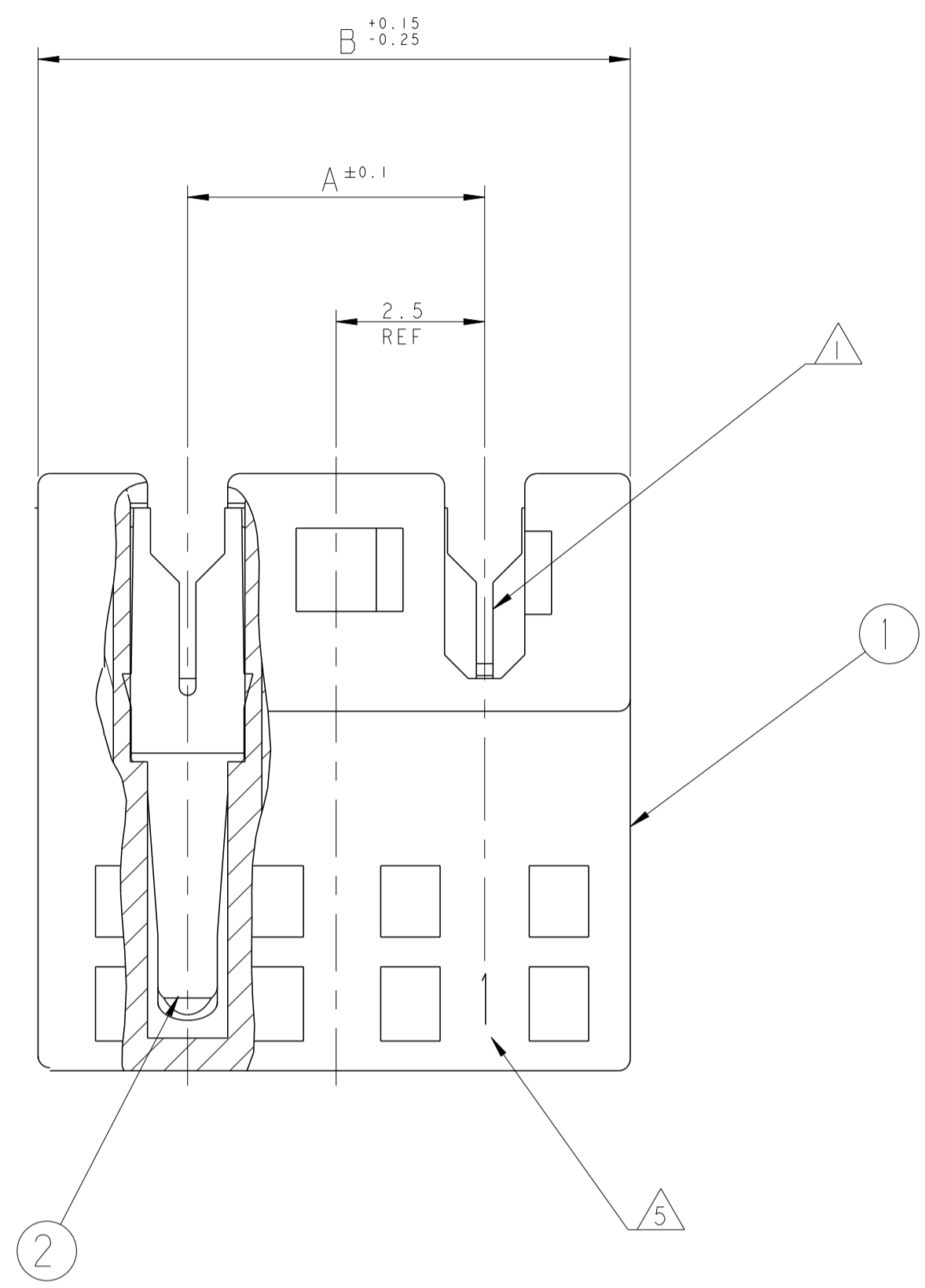
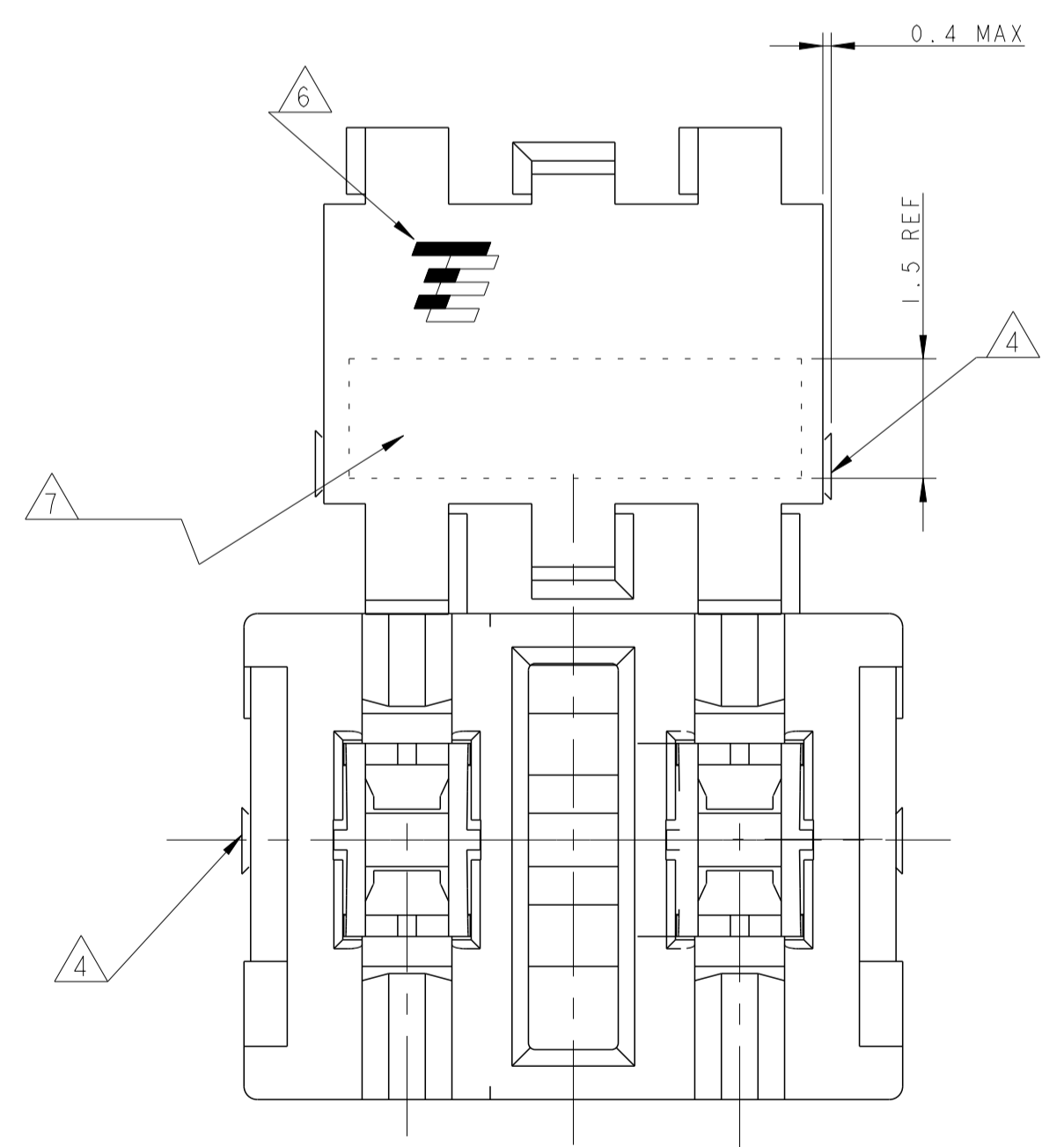
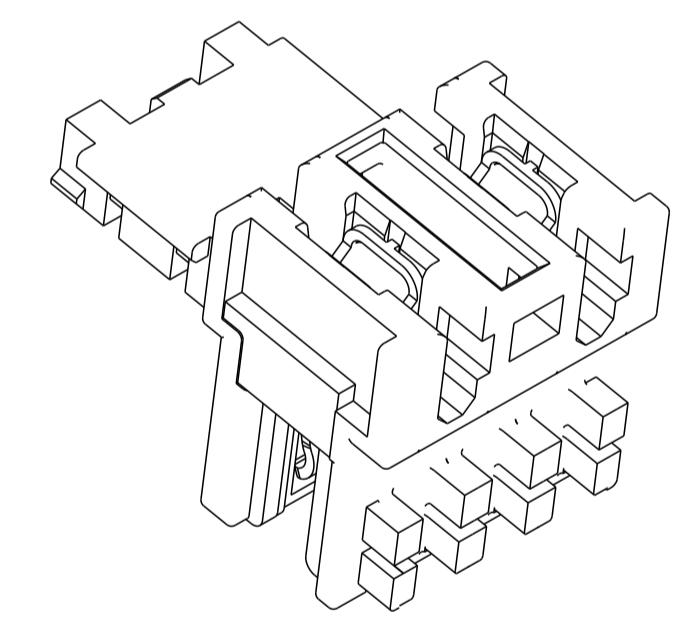


REVISIONS				
P.	LTN	DESCRIPTION	DATE	APVD
B4		REVISED PER ECR-15-012073	13AUG2015	NK WW
B5		ECR-16-016334	18NOV2016	FV RR



ISO VIEW



- ① WIRE RANGE : STRANDED 0.22-0.35 mm (INS. DIA. 1.30±0.1)
- ② MATING PART: TAB HEADER P/N 829866;  
PCB FRAME P/N 964575 (PCB THK 1.5±0.14 COPPER CLADDING INCLUDED)  
SEE PRODUCT SPEC. 108-18056 FOR FRAME APPLICATION
- ③ KEYING RIBS TO BE REMOVED BY TERMINATION MACHINE
- ④ CUT OFF DIMENSION DUE TO PRODUCTION PROCESS
- ⑤ CIRCUIT No. IDENTIFICATION
- ⑥ TE TRADEMARK (OPTIONAL POSITION)
- ⑦ TAMPOGRAPHIC COLOUR CODE AREA  
(P/Ns IDENTIFICATION BEFORE CRIMPING)
- ⑧ CAVITIES 1 AND 3 LOADED WITH CONTACT
- ⑨ PBT GF
- ⑩ PBT GF, GWEPT 750 NO-FLAME, NATURAL

COLOUR CODE	HSG POS.	DIM. A	DIM. B	TE P/N	TE P/N
BLUE				3-284970-3	3-2311509-3
GREEN				2-284970-3	2-2311509-3
BROWN	3	5.0	9.9	1-284970-3	1-2311509-3
-				0-284970-3	2311509-3

Q.TY	MATERIAL	DESCRIPTION	ITEM
SEE TABLE	PH. BRONZE, TIN PLATED	IDC RECEPTACLE CONTACT	2
SEE TABLE	PBT GLASS FIBER FILLED	FEMALE HOUSING	1

THIS DRAWING IS A CONTROLLED DOCUMENT.		OWN R. FABRIS 17 MAY 05	TE Connectivity	
DIMENSIONS: mm		CHK -	DUOPLUG 2.5 FEMALE CONNECTOR STANDARD VERSION, 2 POS. (HIGHER COVER RETENTION)	
TOLERANCES UNLESS OTHERWISE SPECIFIED:		APVD G. TURCO 17 MAY 05	NAME	
0 PLC	±0.2	PRODUCT SPEC	108-18056	
1 PLC	±0.2	APPLICATION SPEC	114-18049-1	
2 PLC	±0.2	SIZE	CAGE CODE DRAWING NO	
3 PLC	±0.2	WEIGHT	A100779C=284970	
4 PLC	±0.2	CUSTOMER DRAWING	SCALE 5:1 SHEET 1 OF 1 REV B6	
ANGLES	±1°			
FINISH				