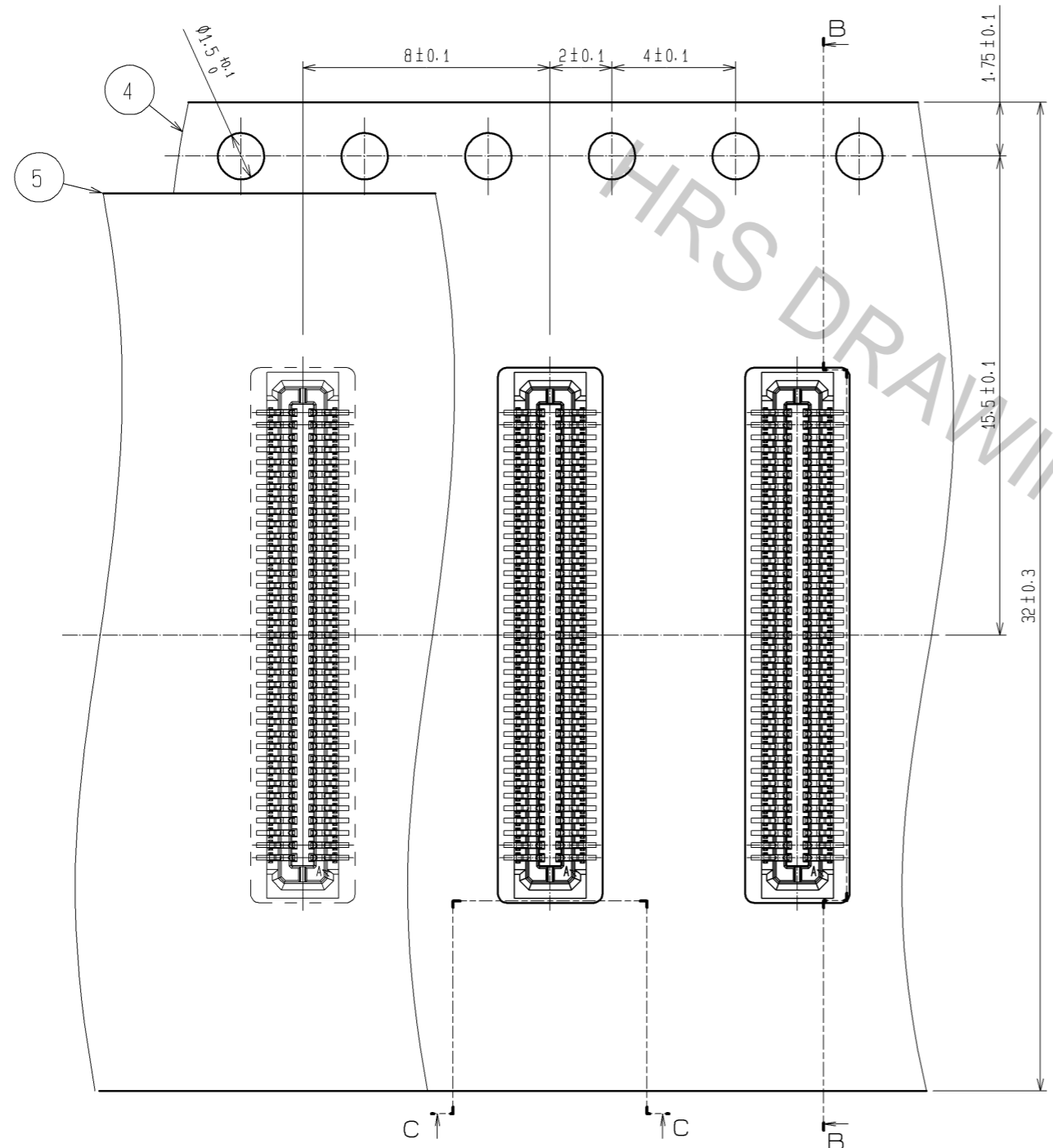


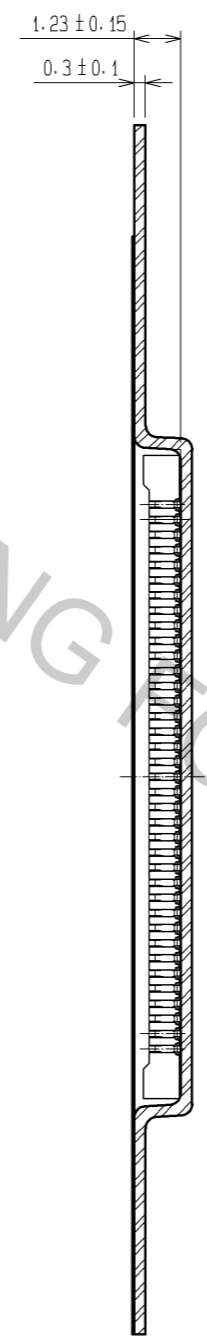
- NOTE 1. ALL LEADS CO-PLANARITY SHALL BE 0.1 MAX.
 2. PER REEL : 1000 CONNECTORS.
 3. AT THE BEGINNING OF THE REEL, 100 mm AT MIN SHALL BE EMPTY POCKETS.
 AT THE END OF THE REEL, 160 mm AT MIN SHALL BE EMPTY.
 4. CONTACT PLATING SPECIFICATIONS.
 CONTACT AREA : GOLD 0.05μm MIN.
 SMT LEAD : GOLD 0.05μm MIN.
 UNDERPLATING : NICKEL 1μm MIN.
 (SURFACE : SEALING)
 5. PEEL FORCE OF COVER TAPE REFERS TO JIS C 0806.
 6. PROTRUTION OF CONTACT FROM HOUSING UNDERSIDE.

2	PHOSPHOR BRONZE	4	5	PS	PLASTIC REEL (BLACK)		
1	LCP	UL94V-0, BLACK	4	POLYESTER	CLEAR(COVER TAPE)		
			3	PS	CLEAR(EMBOSSD CARRIER TAPE)		
NO.	MATERIAL	FINISH, REMARKS	NO.	MATERIAL	FINISH, REMARKS		
UNITS	mm	SCALE	FREE	COUNT	DESCRIPTION OF REVISIONS		
					DESIGNED	CHECKED	DATE
APPROVED : KH. IKEDA		11.04.01	DRAWING NO. EDC3-316671-03				
CHECKED : TS. MIYAZAKI		11.04.01	PART NO. DF37CJ-74DS-0.4V(53)				
DESIGNED : NY. YAMASHIRO		11.04.01	CODE NO. CL684-3074-6-53				
DRAWN : KR. AJITO		11.03.31	1/2				

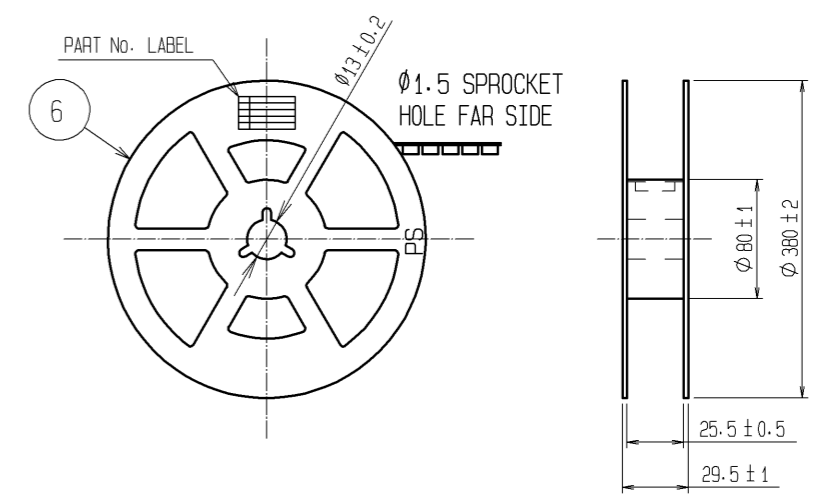
Apr.1.2017 Copyright 2017 HIROSE ELECTRIC CO., LTD. All Rights Reserved.



B-B

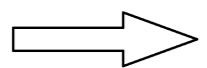


STYLE AND DIMENSION OF REEL (FREE SIZE)

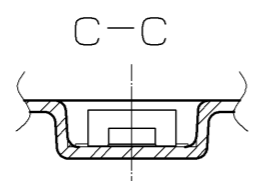


DETAIL OF PART NO. LABEL

SUPPLIER	
QUANTITY	
PART NO.	
CODE NO.	
DATE OF MANUFACTURED	
生産月日	年 月 日
図番	CL684-3074-6-53
品名	DF37CJ-74DS-0.4V(53)
納入数量	1000個
納入者	ヒロセ電機(株)



DIRECTION OF UNREELING



HRS	DRAWING NO.	EDC3-316671-03
	PART NO.	DF37CJ-74DS-0.4V(53)
	CODE NO.	CL684-3074-6-53
		△ 2/2