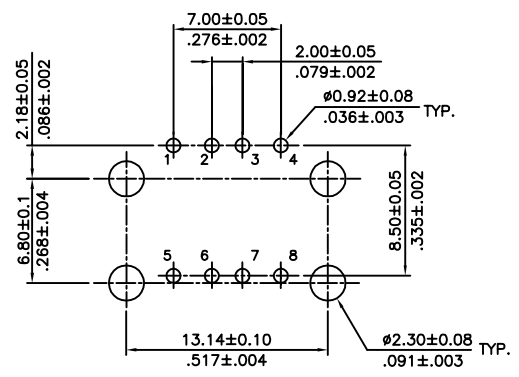
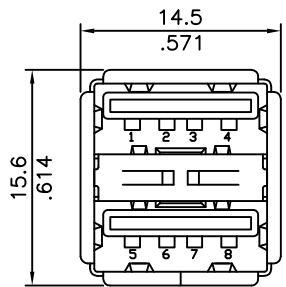


SIGN	DATE	DESCRIPTION	APPROVER
THIS IS CAD DRAWING, DO NOT REVISE MANUALLY!!!			



Recommended P.C. Board Layout

**Material**

- Insulator: Glass Filled Polyester
- Flammability: UL94V-0
- Contacts: Phosphor Bronze
- Contact Plating: See options
- Shell: Brass
- Shell Plating: 80u" Ni over 50u" Cu
- Rear Shell: Steel with Ni plating

**Ratings**

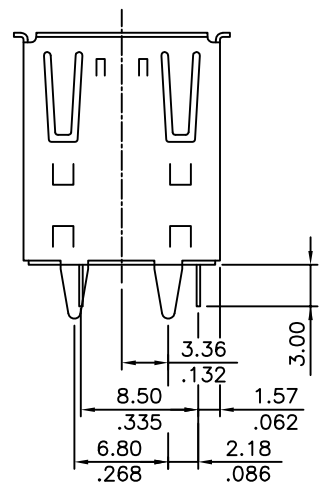
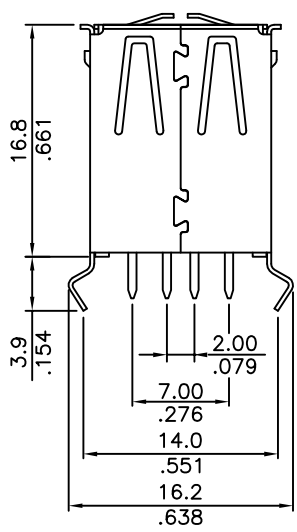
- Current: 1A
- Voltage: 30V AC(r.m.s.)
- Dielectric Withstanding Voltage: 750V AC at sea level
- Contact Resistance: <30mΩ
- Insulation Resistance: >1,000 MΩ
- Operating Temperature: -20° ~ +60°
- Storage Temperature: -0° ~ +50°


RoHS Compliant

PART NUMBER:

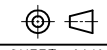
**USB-A2VSXX**

- COLOR:  
B: Black  
W: White
- PLATING:  
6: Selective Gold Flash (Std.)  
8: Selective 30u" Gold  
9: Selective 50u" Gold





**ON-SHORE TECHNOLOGY, INC.**

TITLE		USB - A type, Vertical, thru hole, Dual Port				
PART NO.	USB-A2VSXX	DWG NO.	USB-A2VSXX.DWG			
APPROVED	CHECKED	DESIGNED	DRAWN	4050		Tolerance
	Marvin 2002.03.12	Marvin 2002.03.12	Marvin 2002.03.12			UNIT: mm/inches X.X ±1° X.XX ±0.30/.012 X.XXX ±0.20/.008 X.XXXX ±0.10/.004
						SHEET: 01/01

THESE DRAWINGS AND SPECIFICATIONS ARE THE PROPERTY OF ON-SHORE TECHNOLOGY, INC. AND SHALL NOT BE REPRODUCED, COPIED OR USED IN ANY MANNER WITHOUT THE PRIOR WRITTEN CONSENT OF ON-SHORE TECHNOLOGY, INC.