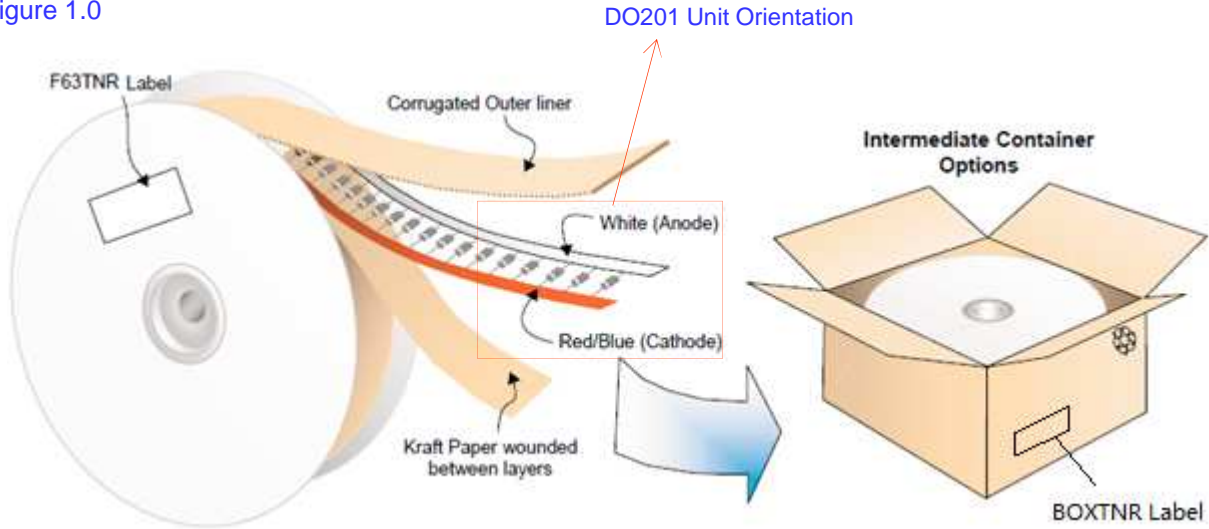


DO201 Packing Configuration:  
Figure 1.0



DO201 Packing Information	
Packing Option	Standard
Packing type	TNR
Qty per Reel/Tube/Bag	1,250
Reel Size	13" Dia
Max qty per Box	6,250

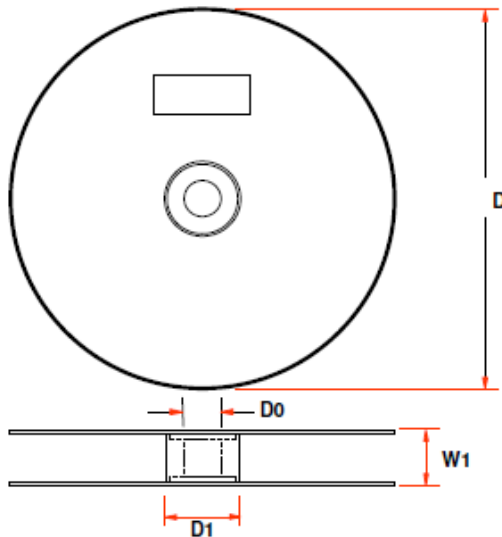
Reel Barcode Label Sample\_(F63TNR)

LOT: QTY:   
 FSID: SPEC:   
 DIC1: QTY1: SPEC REV: 2nd Level Interconnect:  
 DIC2: QTY2: Pb-free 1.Category e3  
 RoHS COMPLIANT 2.Maximum safe temperature 360C  
 FAIRCHILD SEMICONDUCTOR. 3.MSL N/A

Inner Box Barcode Label Sample\_(BOXTNR)

LOT: QTY:   
 FSID: SPEC:   
 DIC1: QTY1: SPEC REV: 2nd Level Interconnect:  
 DIC2: QTY2: Pb-free 1.Category e3  
 RoHS COMPLIANT 2.Maximum safe temperature 360C  
 FAIRCHILD SEMICONDUCTOR. 3.MSL N/A

DO201 Reel Dimension  
Figure 2.0

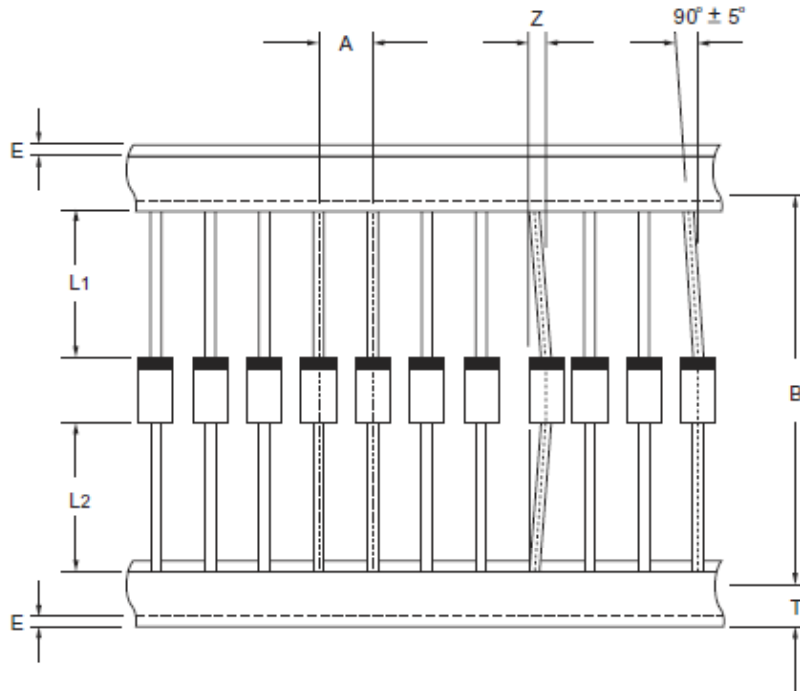


ITEM	SYMBOL	SPEC. (inch)	SPEC. (mm)	Cumulative Pitch Tolerance
<b>REEL DIMENSIONS:</b>				
Reel outside diameter	D	13.0	330.0	
Reel inner diameter	D1	3.375 ±0.012	85.7 ±0.3	
Feed hole diameter	D0	0.655 ±0.016	16.6 ±0.4	
Reel width	W	3.110 ±0.040	79.0 ±1.0	

DO201 Taping Dimension  
Figure 3.0

Axial lead devices are packed in accordance with EIA standard RS-296-E and specifications given below.

COMPONENT OUTLINE	COMPONENT PITCH A $\pm 0.5\text{mm}$	INTER TAPE PITCH B $\pm 1.0\text{mm}$	CUMULATIVE PITCH TOLERANCE
DO-201	10.0mm	52.0mm	1.0mm/20pitch



ITEM	SYMBOL	SPECIFICATIONS(mm)	SPECIFICATIONS(inch)
Component alignment	Z	1.2max	0.048max
Tape width	T	6.0 $\pm$ 0.4	0.236 $\pm$ 0.016
Exposed adhesive	E	0.8max	0.032max
Body eccentricity	L1-L2	1.0max	0.040max

NOTES: Each component lead shall be sandwiched between tapes for a minimum of 3.2mm (0.126")

NOTES:

- A. ALL DIMENSION ARE IN MILLIMETERS UNLESS OTHERWISE SPECIFIED
- B. DRAWING FILE NAME: PKG-DO201AREV1