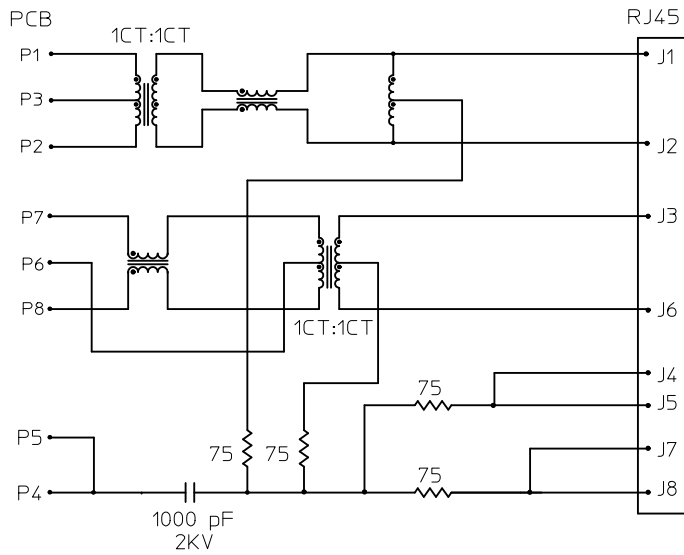


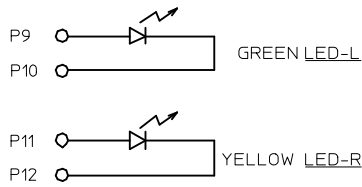
NOTES:

- MATERIAL:
 - METAL SHELL: BRASS.
 - HOUSING: HIGH TEMP THERMOPLASTIC, GLASS FIBER FILLED, UL94V-0, COLOR: BLACK
 - INSERT: HIGH TEMP THERMOPLASTIC, GLASS FIBER FILLED, UL94V-0, COLOR: BLACK
 - TERMINAL: PHOSPHOR BRONZE.
 - RESIN: UEP-700
- PLATING:
 - TERMINAL:
 - CONTACT AREA: GOLD (Au), THICKNESS=50 MICROINCH/1.27 MICROMETER MINIMUM.
 - SOLDER TAIL: TIN (Sn), THICKNESS=100 MICROINCH/2.54 MICROMETER MINIMUM.
 - UNDER PLATE: NICKEL (Ni).
 - METAL SHELL:
 - SOLDER TAIL: TIN (Sn), THICKNESS=100 MICROINCH MINIMUM
 - UNDER PLATE: NICKEL (Ni), (SOLDERING AVAILABLE)
 - SURFACE APPEARANCE: BRIGHT.
- RECOMMENDED PCB THICKNESS: 1.60±0.05
- PRODUCT SPECIFICATION REFER TO PS-48025-004
- TEST SUMMARY REFER TO TS-48025-006
- PACKAGING SPECIFICATION REFER TO PK-48025-001
- LEAD FREE AND ROHS COMPLIANCE PRODUCT
- IR REFLOW APPLICATION PRODUCT

RELEASED EC NO: SH2012-0381 DRW: RLL109 CHKD: APPR: RZHANG 2012/05/11 2012/06/22	DESCRIPTION REV	QUALITY SYMBOLS ▽=0 ▽=0	GENERAL TOLERANCES (UNLESS SPECIFIED)		DIMENSION STYLE MM ONLY		SCALE 1:1	DESIGN UNITS METRIC	THIRD ANGLE PROJECTION		
			mm	INCH	DRAWN BY	DATE	TITLE MODR JK RA DIP WITH LED MAGNETICS FOR IR REFLOW (LEAD FREE VERSION)				
		4 PLACES	± ---	± ---	LINDA	2005/08/26					
		3 PLACES	± ---	± ---	CHECKED BY	DATE	molex				
2 PLACES	± 0.25	± ---	ALLEN LIN	2005/08/26							
1 PLACE	± 0.25	± ---	APPROVED BY	DATE	DOCUMENT NO.						
0 PLACE	±	±	WILSON CHANG	2005/08/26							
DRAFT WHERE APPLICABLE MUST REMAIN WITHIN DIMENSIONS			ANGULAR ± 3 °		MATERIAL NO. 48025-0002		SD-48025-006		SHEET NO. 1 OF 2		
					SIZE A4		THIS DRAWING CONTAINS INFORMATION THAT IS PROPRIETARY TO MOLEX INCORPORATED AND SHOULD NOT BE USED WITHOUT WRITTEN PERMISSION				



MAGNETIC SCHEMATIC



LED SCHEMATIC

MAGNETIC ELECTRICAL SPECIFICATION

PARAMETER	SPECIFICATIONS		
	100 KHz	1-125 MHz	
INSERTION LOSS	1.2 dB MAX	0.2+0.002*f^{1.4} dB MAX	
RETURN LOSS (Z OUT=100 OHM±15%)	1-30 MHz	30-60 MHz	60-80 MHz
	16 dB MIN	10-20*LOG ₁₀ (f/60 MHz) dB MIN.	10 dB MIN.
INDUCTANCE (OCL) (MEDIA SIDE, 0° +70°C)	350 uH MIN (MEASURED AT 100 KHz, 100 mV _{RMS} AND WITH 8 mA DC BIAS)		
CROSSTALK, ADJACENT CHANNELS	1 MHz	10-100 MHz	
	50 dB MIN	50-17*LOG ₁₀ (f/10) dB MIN.	
COMMON MODE REJECTION RATIO	2 MHz	30-200 MHz	
	50 dB MIN	15-20*LOG ₁₀ (f/200) dB MIN.	
DC RESISTANCE 1/2 WINDING	0.60 OHMS MAX.		
DC RESISTANCE IMBALANCE	±0.065 OHMS MAX (CENTER TAP SYMMETRY)		
HI-POT ISOLATION	1500 VRMS AC		

NOTE: f IS FREQUENCY IN MHz.

LED ELECTRICAL SPECIFICATION

PARAMETER	YELLOW (TYP.)		GREEN (TYP.)	UNITS	TEST CONDITIONS	
POWER DISSIPATION	105		105	mW		
REVERSE VOLTAGE	5		5	V		
PEAK WAVELENGTH	590		565	nm	I _F =20mA	
FORWARD VOLTAGE	2.1	MAX.=2.5	2.2	MAX.=2.5	V	I _F =20mA

RELEASED EC NO: SH2012-0381 DRWN:RL109 2012/05/11 CHKD: APPR:RZHANG 2012/06/22	DESCRIPTION B	QUALITY SYMBOLS	GENERAL TOLERANCES (UNLESS SPECIFIED)	DIMENSION STYLE MM ONLY	SCALE 1:1	DESIGN UNITS METRIC	THIRD ANGLE PROJECTION	
		▼=0 ▽=0	mm INCH 4 PLACES ± --- ± --- 3 PLACES ± --- ± --- 2 PLACES ± 0.25 ± --- 1 PLACE ± 0.25 ± --- 0 PLACE ± ±	DRAWN BY DATE LINDA 2005/08/26 CHECKED BY DATE ALLEN LIN 2005/08/26 APPROVED BY DATE WILSON CHANG 2005/08/26	TITLE	MODR JK RA DIP WITH LED MAGNETICS FOR IR REFLOW (LEAD FREE VERSION) molex DOCUMENT NO. SD-48025-006 SHEET NO. 2 OF 2		
		DRAFT WHERE APPLICABLE MUST REMAIN WITHIN DIMENSIONS	ANGULAR ± 3 °	MATERIAL NO. 48025-0002				
		REV	SIZE A 4	THIS DRAWING CONTAINS INFORMATION THAT IS PROPRIETARY TO MOLEX INCORPORATED AND SHOULD NOT BE USED WITHOUT WRITTEN PERMISSION				