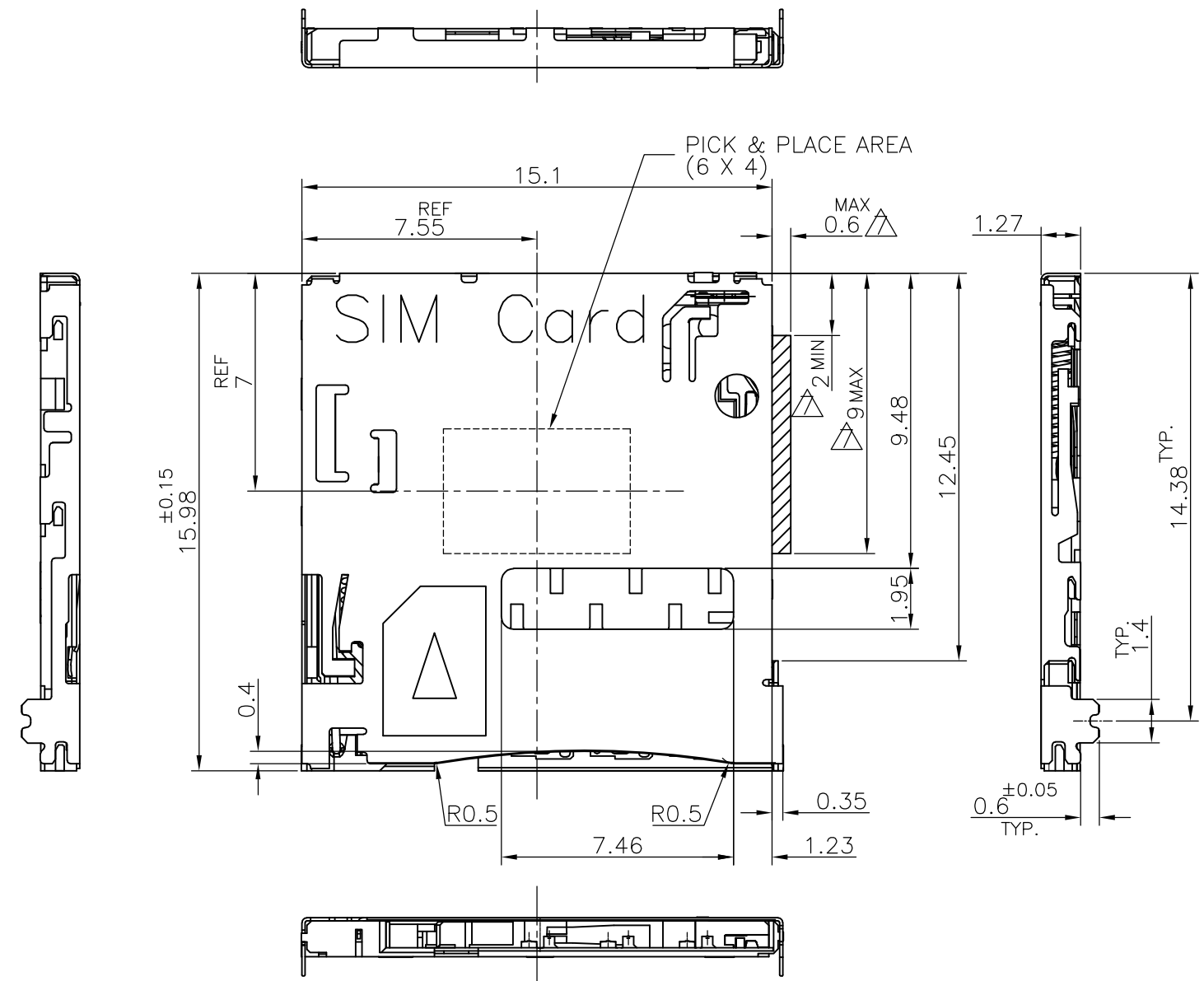


THIS DRAWING IS UNPUBLISHED. RELEASED FOR PUBLICATION APR , 2014.
 © COPYRIGHT 2014 By Tyco Electronics Japan G.K. ALL RIGHTS RESERVED.

LOC	DIST	REVISIONS					
		P	LTR	DESCRIPTION	DATE	DWN	APVD
J	/	B		REVISED	18NOV2015	M.T	K.K



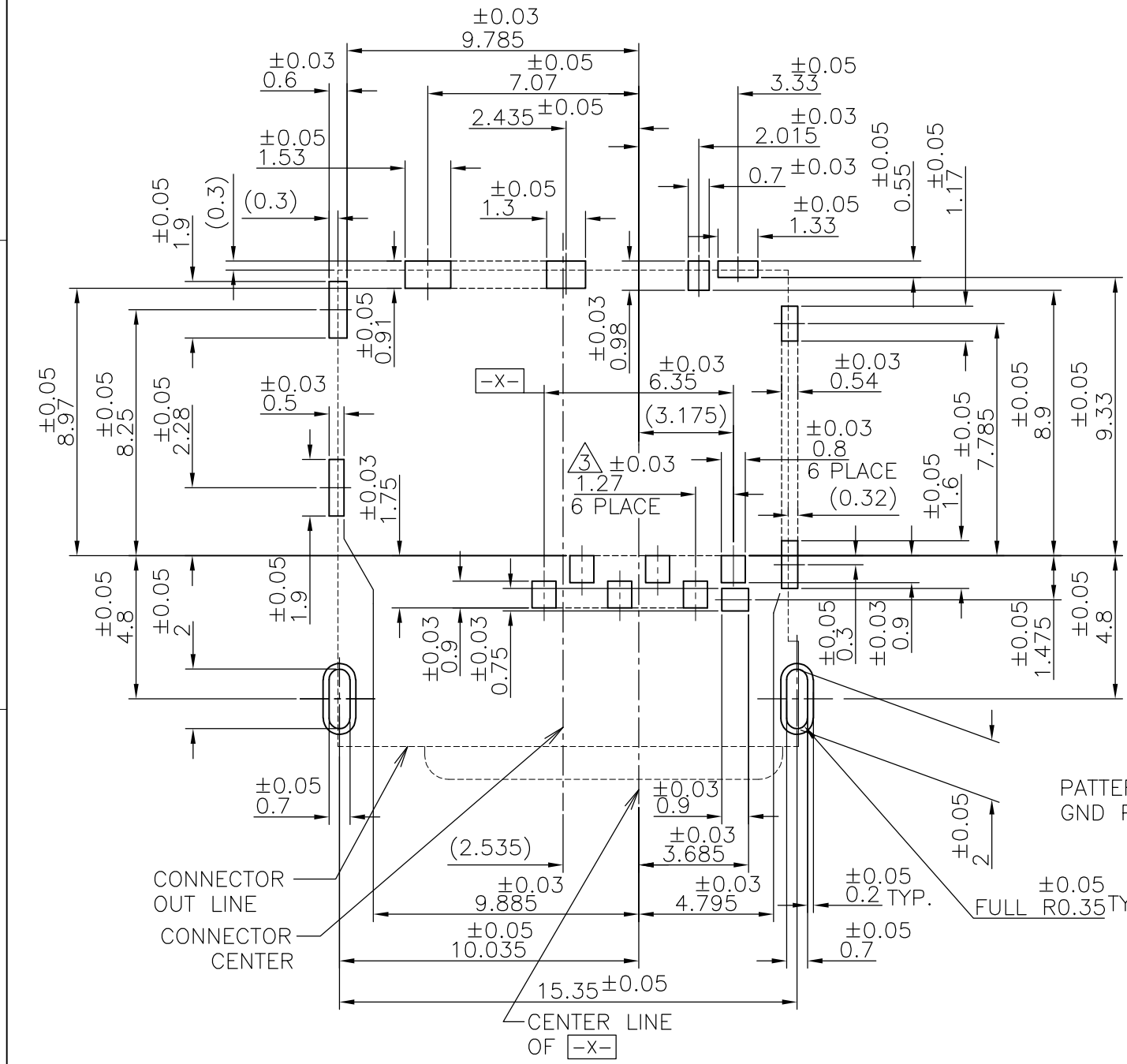
- 1. MATERIAL HOUSING,SLIDER : THERMOPLASTIC RESIN UL94V-0, COLOR;BLACK
CONTACT : COPPER ALLOY
SHELL : STAINLESS STEEL
COIL : SWP
CAM ROD : STAINLESS STEEL
- △ FINISH CONTACT : Au PL AT CONTACT AREA
Au PL AT SOLDERING AREA
SHELL : Au PL AT SOLDERING AND SWITCH AREA
- △ NON-CUMULATIVE TOLERANCE
- 4. COPLANARITY IS 0.1MAX.
- △ CIRCUIT DRAWING OF SWITCH.
- 6. OVERALL TOLERANCE:±0.1
- △ SWITCH MOVING AREA.

△	2822541-1
FINISH	PART NUMBER

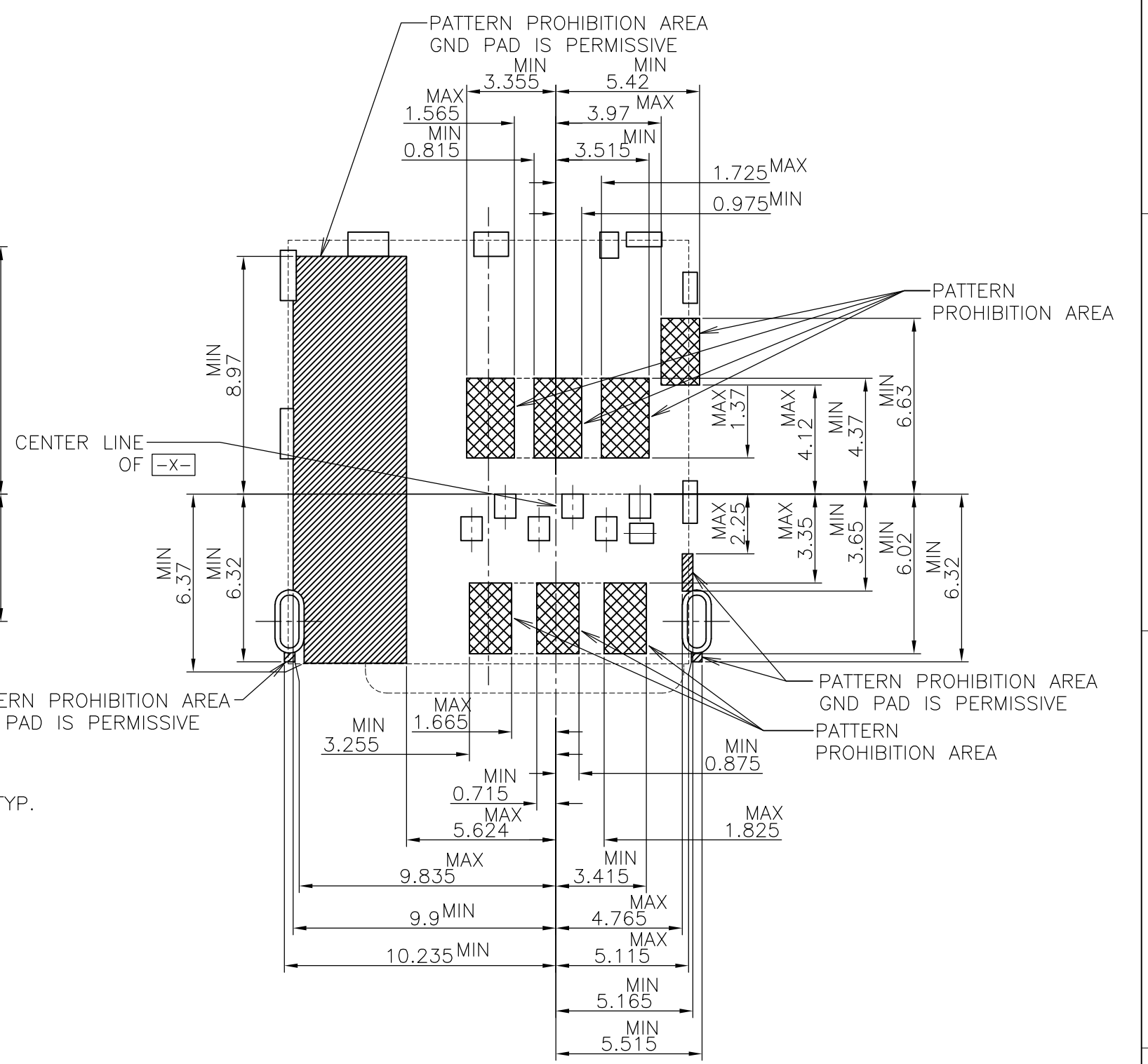
THIS DRAWING IS A CONTROLLED DOCUMENT.		DWN J.TSUJI 23JUN2014	STE TE Connectivity	
DIMENSIONS: mm		CHK K.KOBAYASHI 23JUN2014		
TOLERANCES UNLESS OTHERWISE SPECIFIED:		APVD K.KOBAYASHI 23JUN2014	NAME	
0 PLC ± -		108-140068		
1 PLC ± -		APPLICATION SPEC		
2 PLC ± -		SIZE	CAGE CODE	DRAWING NO
3 PLC ± -		A3	00779	C-2822541
4 PLC ± -		RESTRICTED TO		
ANGLES ± 1		CUSTOMER DRAWING		
MATERIAL		SCALE 5:1		
FINISH		SHEET 1 OF 5		
		REV B		

THIS DRAWING IS UNPUBLISHED. RELEASED FOR PUBLICATION MAR ,2014.
 © COPYRIGHT 2014 By Tyco Electronics Japan G.K. ALL RIGHTS RESERVED.

LOC	DIST	REVISIONS			
P	LTR	DESCRIPTION	DATE	DWN	APVD
J	/	SEE SHEET 1	-	-	-



PCB LAYOUT(REFERENCE)
 (VIEWED FROM CONNECTOR MOUNT SIDE)



THIS DRAWING IS A CONTROLLED DOCUMENT.		DWN	-		
DIMENSIONS: mm		CHK	-		
TOLERANCES UNLESS OTHERWISE SPECIFIED:		APVD	-		
0 PLC ± -		PRODUCT SPEC	-		
1 PLC ± -		APPLICATION SPEC	-		
2 PLC ± -		WEIGHT	-		
3 PLC ± -			-		
4 PLC ± -			-		
ANGLES ± -			-		
FINISH ± -			-		
MATERIAL			-		

		TE Connectivity			
		NAME			
MICRO SIM CONNECTOR PUSH-PUSH DIP TYPE		SIZE	CAGE CODE	DRAWING NO	RESTRICTED TO
		A3	00779	C-2822541	
CUSTOMER DRAWING		SCALE	SHEET	REV	
		5:1	2 OF 5	B	

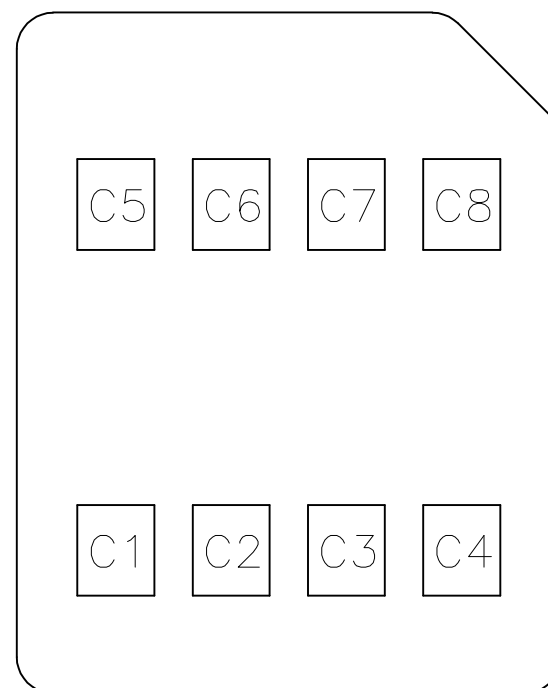
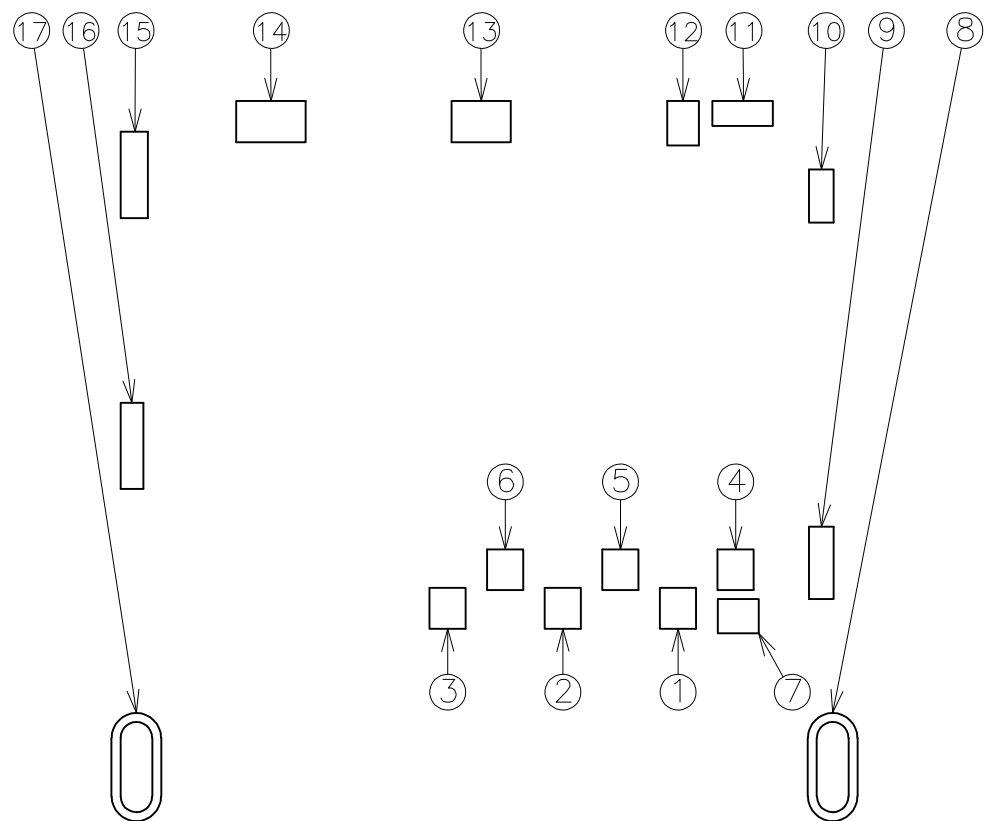
P	LTR	DESCRIPTION	DATE	DWN	APVD
-	-	SEE SHEET 1	-	-	-

Connector Pin Assignment

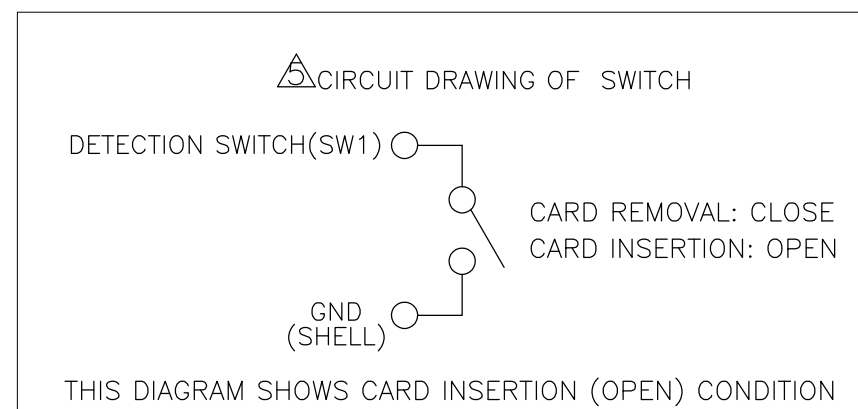
No.	Pin Name	Description
①	C1	Vcc of SIM
②	C2	RST of SIM
③	C3	CLK of SIM
④	C5	GND of SIM
⑤	C6	Vpp of SIM
⑥	C7	I/O of SIM
⑦	SW	Detection Switch
⑧~⑰	GND	Shell Ground

SIM Card Pin Assignment

Pin No.	Name
C1	Vcc
C2	RST
C3	CLK
C4	Reserved
C5	GND
C6	Vpp
C7	I/O
C8	Reserved



SIM CARD PAD LAYOUT



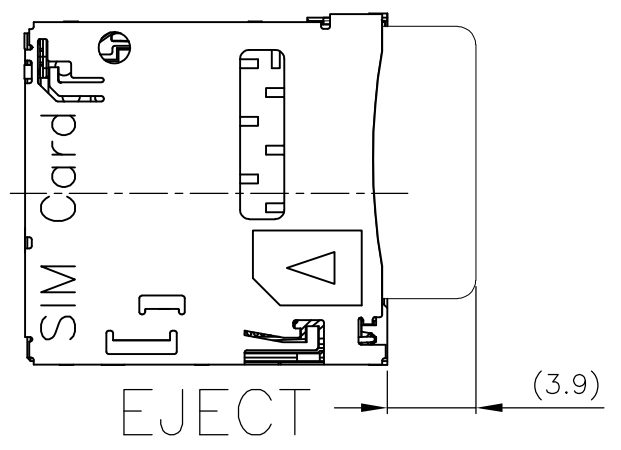
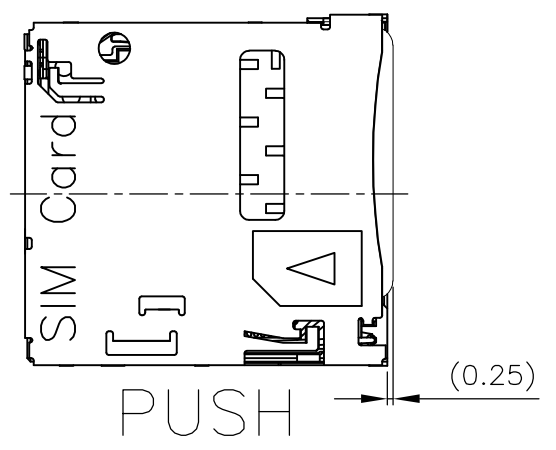
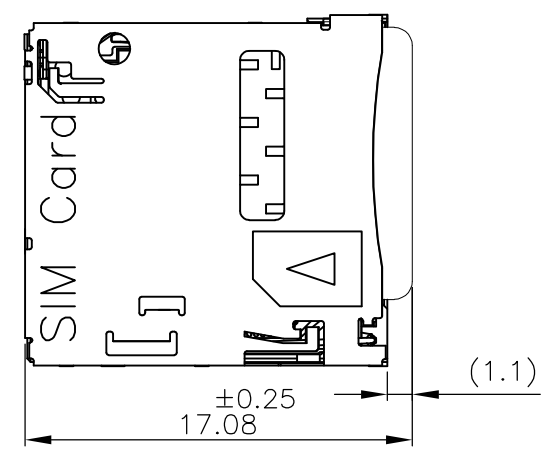
PCB LAYOUT(REFERENCE)
(VIEWED FROM CONNECTOR MOUNT SIDE)

THIS DRAWING IS A CONTROLLED DOCUMENT.		DWN	-		
DIMENSIONS: mm		CHK	-		
TOLERANCES UNLESS OTHERWISE SPECIFIED:		APVD	-		
0 PLC ± -		PRODUCT SPEC	-		
1 PLC ± -		APPLICATION SPEC	-		
2 PLC ± -		WEIGHT	-		
3 PLC ± -		<p>STE TE Connectivity</p> <p>NAME</p> <p>MICRO SIM CONNECTOR PUSH-PUSH DIP TYPE</p>			
4 PLC ± -		SIZE	CAGE CODE	DRAWING NO	RESTRICTED TO
ANGLES ± -		A3	00779	C-2822541	
MATERIAL		CUSTOMER DRAWING		SCALE	SHEET
FINISH				NTS	3 OF 5
				REV	B

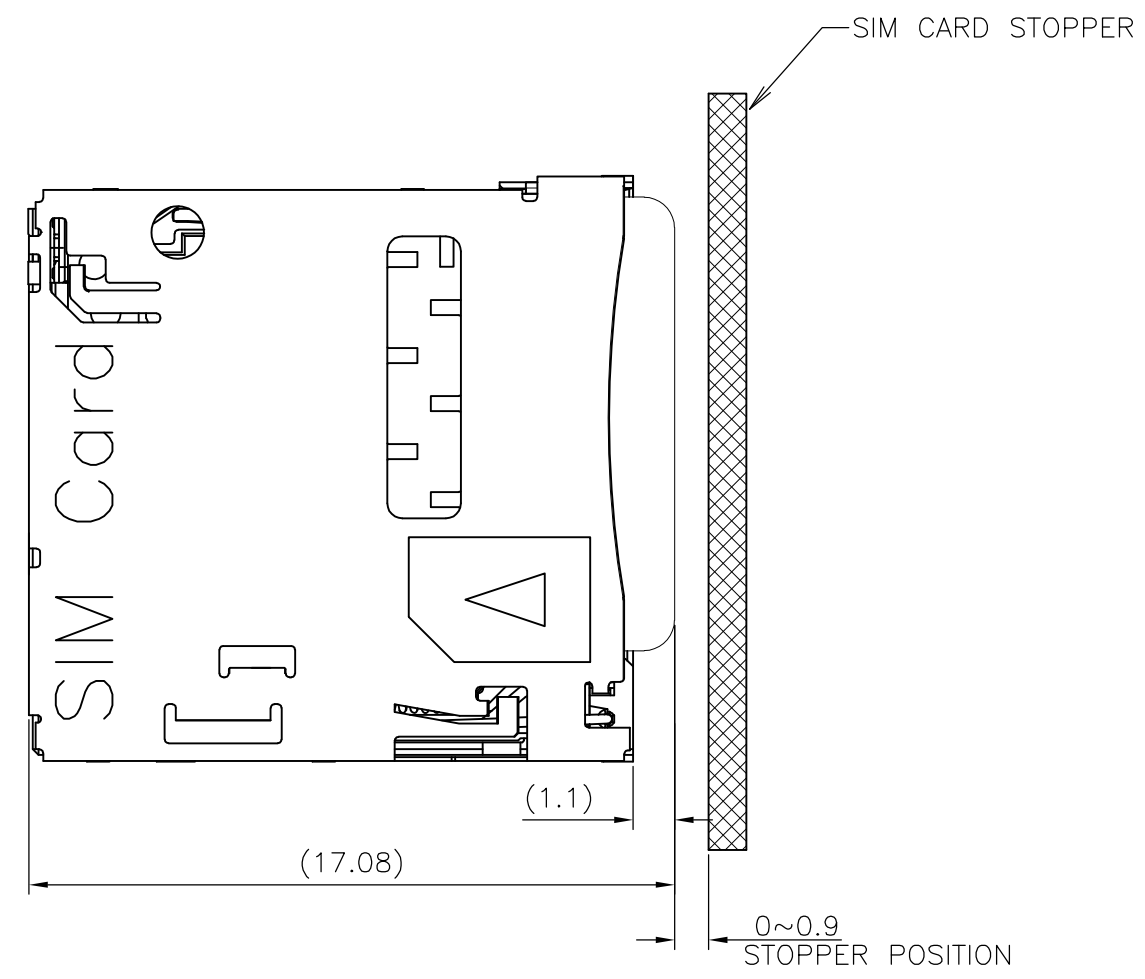
THIS DRAWING IS UNPUBLISHED. RELEASED FOR PUBLICATION MAR , 2014.
 © COPYRIGHT 2014 By Tyco Electronics Japan G.K. ALL RIGHTS RESERVED.

LOC	DIST	REVISIONS					
		P	LTR	DESCRIPTION	DATE	DWN	APVD
J	/	-	-	SEE SHEET 1	-	-	-

THERE IS NO MICRO SIM CARD LOCK IN THIS CONNECTOR.
 CARD STOPPER AS SHOWN BELOW MUST BE NECESSARY.



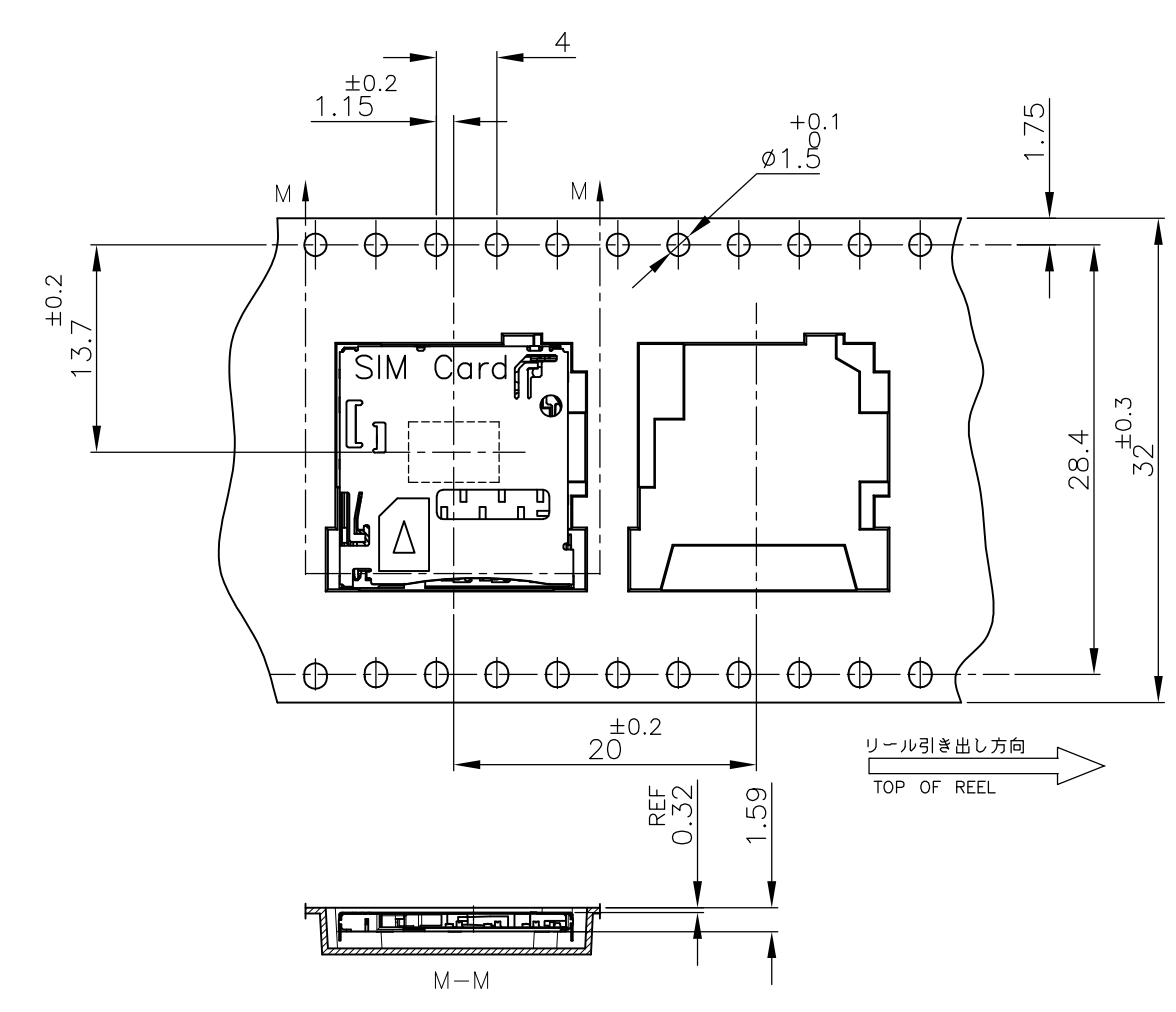
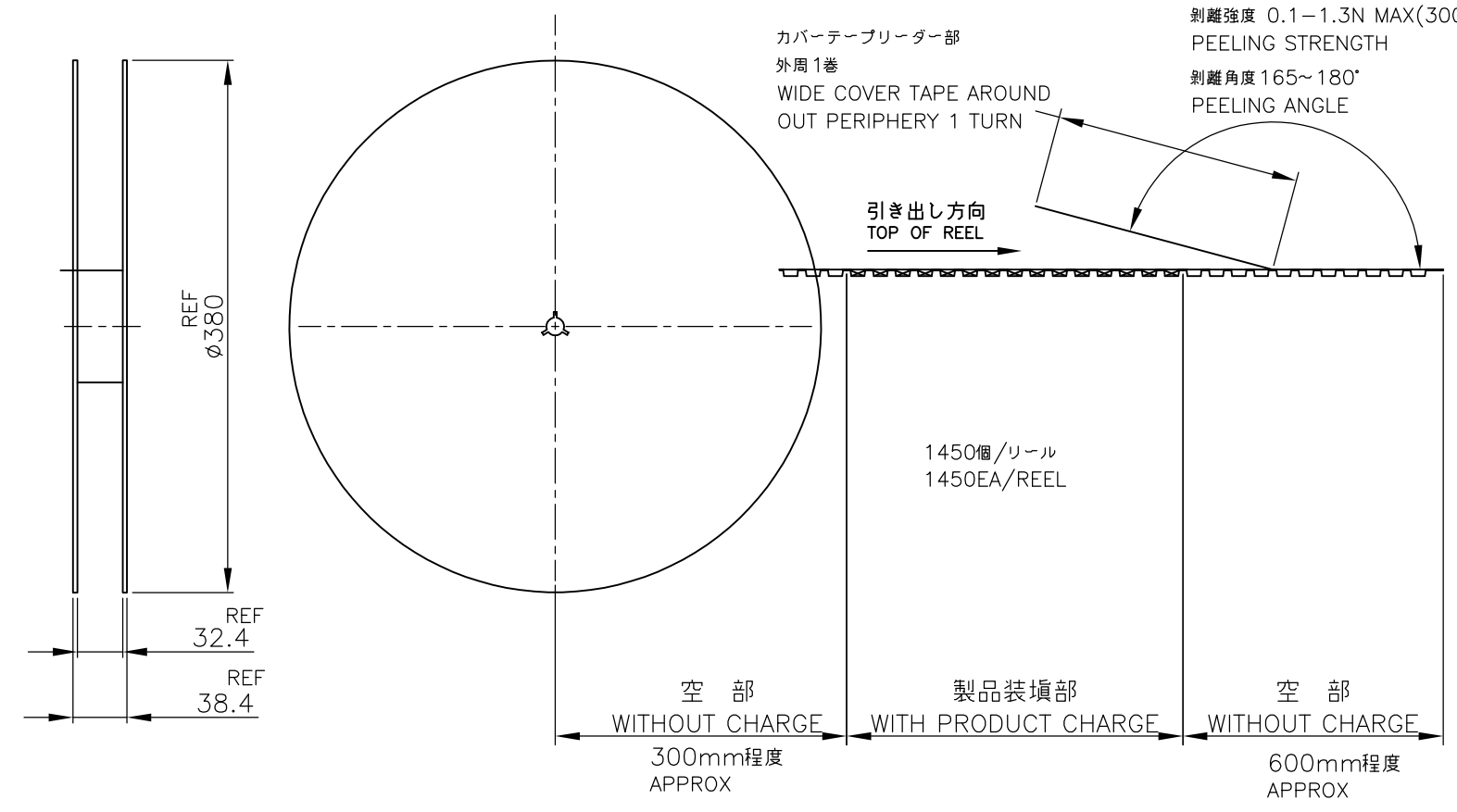
SCALE 3:1



THIS DRAWING IS A CONTROLLED DOCUMENT.		DWN	TE Connectivity		
DIMENSIONS: mm		CHK			
TOLERANCES UNLESS OTHERWISE SPECIFIED:		APVD	MICRO SIM CONNECTOR PUSH-PUSH DIP TYPE		
0 PLC ± -		PRODUCT SPEC	SIZE	CAGE CODE	DRAWING NO
1 PLC ± -		APPLICATION SPEC	A3	00779	C-2822541
2 PLC ± -		WEIGHT	RESTRICTED TO		
3 PLC ± -		CUSTOMER DRAWING			
4 PLC ± -		SCALE 5:1		SHEET 4 OF 5	
ANGLES ± -		REV B			
FINISH					

THIS DRAWING IS UNPUBLISHED. RELEASED FOR PUBLICATION MAR , 2014.
 © COPYRIGHT 2014 By Tyco Electronics Japan G.K. ALL RIGHTS RESERVED.

LOC	DIST	REVISIONS			
P	LTR	DESCRIPTION	DATE	DWN	APVD
		SEE SHEET 1	-	-	-



THIS DRAWING IS A CONTROLLED DOCUMENT.		DWN	TE Connectivity		
DIMENSIONS: mm		CHK			
TOLERANCES UNLESS OTHERWISE SPECIFIED:		APVD	MICRO SIM CONNECTOR PUSH-PUSH DIP TYPE		
0 PLC ± -		PRODUCT SPEC	SIZE		
1 PLC ± -		APPLICATION SPEC	CAGE CODE	DRAWING NO	RESTRICTED TO
2 PLC ± -		WEIGHT	A3	00779	C-2822541
3 PLC ± -		CUSTOMER DRAWING			
4 PLC ± -		SCALE	NTS	SHEET	5 OF 5
ANGLES ± -		REV B			
FINISH ± -					